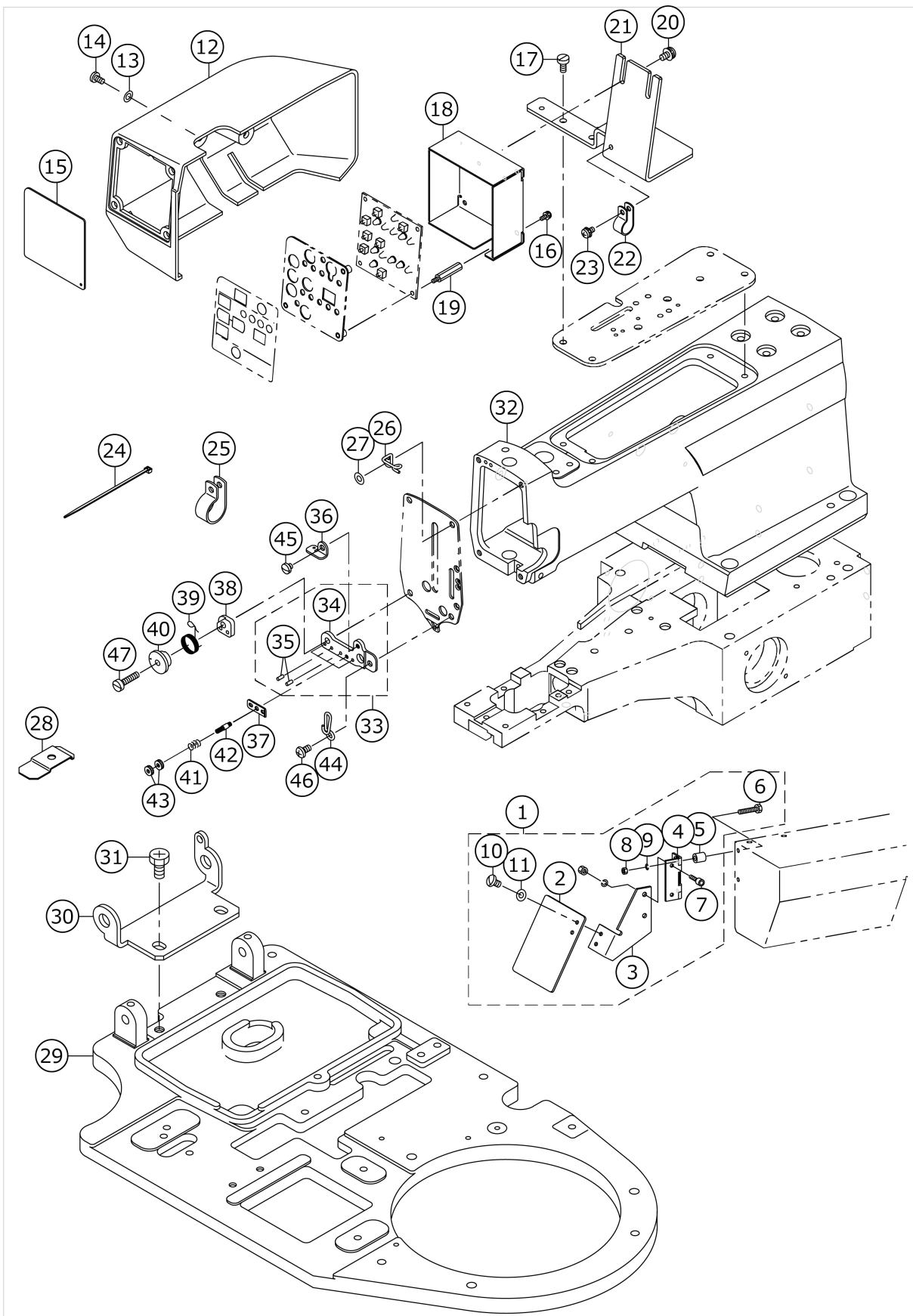


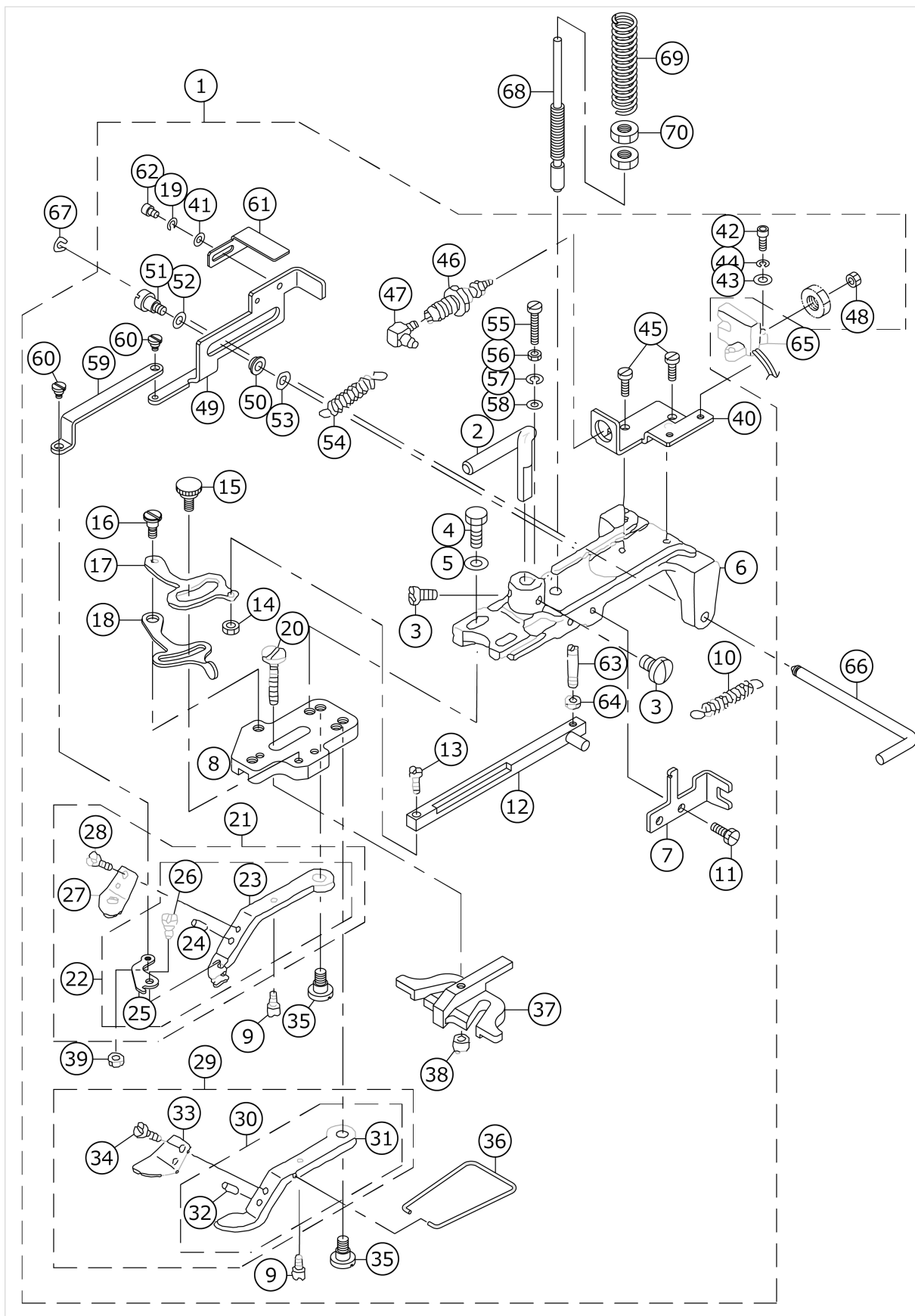
ACF-164-1800

FRAME & MICELLANEOUS COVER COMPONENTS



No.	品番	品名	備考	子部品	消耗品	個数
1	MAZ089710B0	EC SAFETY PLATE ASM.				1.00
2	B3120372000	SAFETY PLATE		*		1.00
3	MAZ08974000	SAFETY PLATE INSTALLING PLATE		*		1.00
4	G5903172000	SAFETY PLATE HINGE		*		1.00
5	GBR11115000	MOTOR SPACER.		*		2.00
6	SM9031603SE	SCREW M3 L=16		*		2.00
7	SM6030802TP	SCREW M3X0.5 L=8		*		2.00
8	NM6030001SC	NUT M3		*		4.00
9	WS0310002KN	SPRING WASHER M3		*		4.00
10	SS4110715SP	SCREW 11/64-40 L=7		*		2.00
11	WP0450801SD	WASHER 4.5X10X0.8		*		2.00
12	G5426164C00	SIDE COVER COMPL.				1.00
13	WP0501016SD	WASHER 5X10.5X1				2.00
14	SS4110815SP	SCREW 11/64-40 L=8				2.00
15	G5427164C00	SIDE COVER				1.00
16	SL4030881SC	SCREW M3X8				3.00
17	SS6121050SP	SCREW 3/16-28 L= 9.5				4.00
18	14613806	OPERATION PANEL COVER				1.00
19	HX00354000M	STUD				3.00
20	SL4040891SC	SCREW M4 L=8				2.00
21	14613905	OPERATION PANEL COVER BASE				1.00
22	HX00150000E	CORD PRESSER 3-POLE (220/240V)				1.00
23	SL4040891SC	SCREW M4 L=8				1.00
24	EA9500B0100	CABLE BAND				1.00
25	HX00150000J	CLIP				2.00
26	B2038372000	THREAD GUIDE NO. 2				1.00
27	WP0501016SD	WASHER 5X10.5X1				1.00
28	14614002	FEED BASE COVER				1.00
29	GBR12001000	BASE BODY ADDITIONAL WORK				1.00
30	G5425164C00	HEAD ROTARY SUPPORT BASE				1.00
31	SL9081681SE	SCREW				2.00
32	14613301	ARM				1.00
33	B3101377BA0	TENSION NO.3 ATTACH PLATE ASM.				1.00
34	B3101377B00	TENSION NO.3 ATTACH PLATE		*		1.00
35	PS0250062KH	SPRING PIN 2.5X6		*		4.00
36	B3102377B00	THREAD GUIDE NO. 3 B				1.00
37	B3103377B00	THREAD PRESSER NO. 3				1.00
38	B3104377B00	THREAD TAKE-UP SPRING SEAT				1.00
39	B3105377B00	THREAD TAKE-UP SPRING				1.00
40	B3106377B00	TAKE-UP SPRING ADJUST BASE				1.00
41	B1136850000	TENSION SPRING B				1.00
42	25002809	THREAD TENSION STUD				1.00
43	25002908	THREAD TENSION NUT				2.00
44	B3107373S00	THREAD GUIDE NO.3				1.00
45	SS7110410SP	SCREW 11/64-40 L=4				1.00
46	SS4120915SP	SCREW 3/16-28 L=9				1.00
47	SS6122030SP	SCREW 3/16-28 L=20				1.00

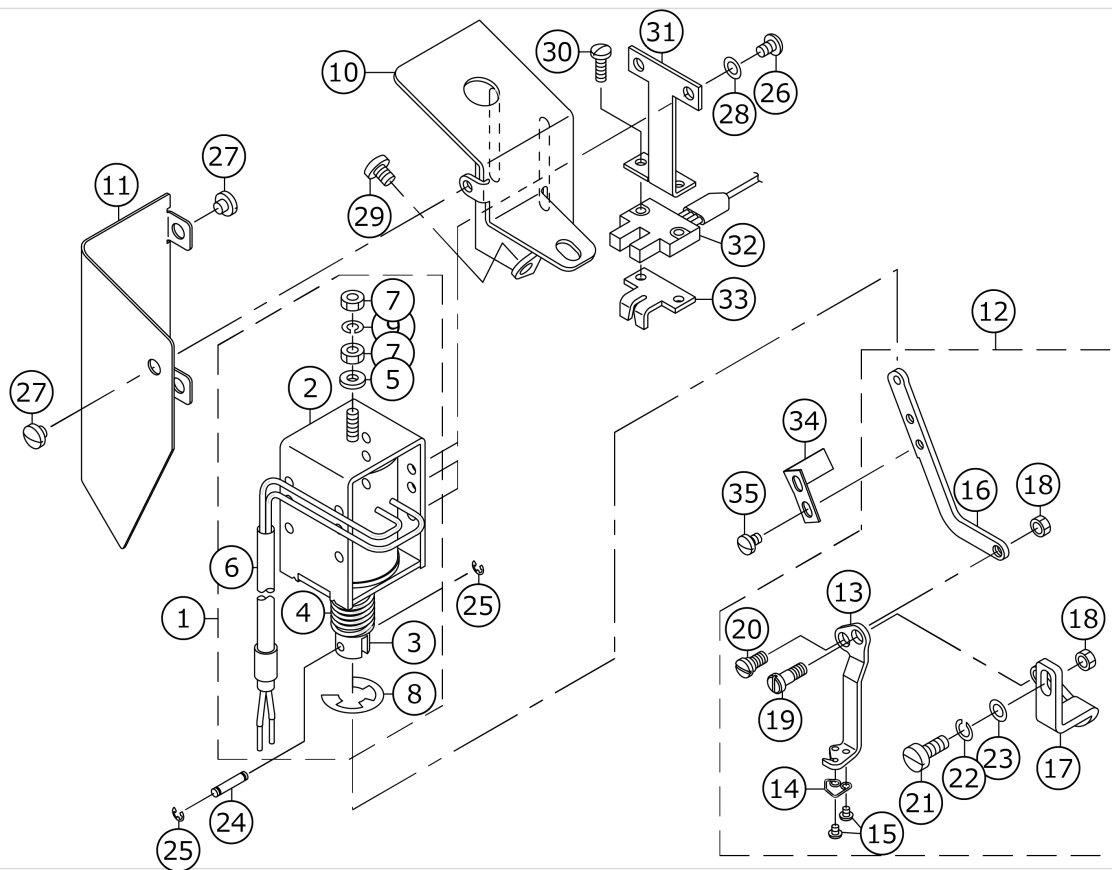
FEEDER CLAMP MACHANISM COMPONENTS



No.	品番	品名	備考	子部品	消耗品	個数
1	14613558	KNOB DEVICE COMPL.				1.00
2	14611404	LIFTING ROD		*		1.00
3	SS7150940SP	SCREW 15/64-28 L=9		*		2.00
4	SS9621413SP	SCREW 3/16-32 L=13.5		*		2.00
5	WP0501016SD	WASHER 5X10.5X1		*		2.00
6	MAZ08912000	BUTTON CLAMP HOLDER		*		1.00
7	GBR01602000	SLIDE BRACKET		*		1.00
8	B2547372000	JAW LEVER HOLDER		*		1.00
9	B2560372000	BUTTON CLAMP STOP PIN		*		2.00
10	GBR01606000	RELEASE RETURN SPRING		*		1.00
11	SS9091010SP	SCREW 9/64-40 L=10		*		2.00
12	MAZ088270A0	CLAMP PELEASE LINK ASM.		*		1.00
13	SS7091480SP	SCREW 9/64-40 L=13.5		*		1.00
14	NS6090310SP	NUT 9/64-40		*		1.00
15	B2549372R00A	SCREW		*		1.00
16	SD0500404SP	HINGE SCREW		*		1.00
17	GBR01601000A	CLAMP RELEASE LEVER		*		1.00
18	B2548372R00A	OPEN LEVER		*		1.00
19	WS0310002KR	SPRING WASHER 3.1X5.9X0.7		*		1.00
20	SD0550303SP	HINGE SCREW		*		1.00
21	MAZ089130B0A	PICK-UP FOOT (LEFT) WHOLE ASM.		*		1.00
22	MAZ089130A0A	PICK-UP FOOT (LEFT) ASM.		*		1.00
23	MAZ08914000A	PICK-UP FOOT (LEFT)		*		1.00
24	B2559372000	BUTTON CLAMP LOCATING PIN		*		1.00
25	MAZ08915000A	DETECTOR LEVER		*		1.00
26	MAZ08916000	LINK SCREW A		*		1.00
27	MAZ08917000	BUTTON HOLDING SPRING,LEFT		*		1.00
28	SS7090410SP	SCREW 9/64-40 L= 3.5		*		1.00
29	MAZ088230B0A	PICK-UP FOOT (RIGHT) ASM.		*		1.00
30	MAZ088230A0A	PICK-UP FOOT (RIGHT) ASM.		*		1.00
31	MAZ08823000A	PICK-UP FOOT (RIGHT)		*		1.00
32	B2559372000	BUTTON CLAMP LOCATING PIN		*		1.00
33	MAZ08829000	SPRING, RIGHT		*		1.00
34	SS7090410SP	SCREW 9/64-40 L= 3.5		*		1.00
35	SD0640391TP	HINGE SCREW D= 6.35 H= 3.9		*		2.00
36	B2561372000	BUTTON CLAMP SPRING		*		1.00
37	MAZ16522000	BUTTON GUIDE FOOT		*		1.00
38	B2553372000	NUT		*		1.00
39	NM6860003SC	NUT M2.6		*		1.00
40	MAZ08918000	CYLINDER BASE		*		1.00
41	WP0320501SC	WASHER M3		*		1.00
42	SM6030802TP	SCREW M3X0.5 L=8		*		2.00
43	WP0320501SC	WASHER M3		*		2.00
44	WS0310002KR	SPRING WASHER 3.1X5.9X0.7		*		2.00
45	SS6081010TP	SCREW 1/8-44 L=10		*		2.00
46	PA0601004A0	AIR CYLINDER		*		1.00
47	PJ046052503	HOSE ELBOW		*		1.00
48	NM7030510SA	NUT M3		*		1.00
49	MAZ08919000	SLIDER LINK		*		1.00
50	MAZ16723000	BEARING		*		2.00

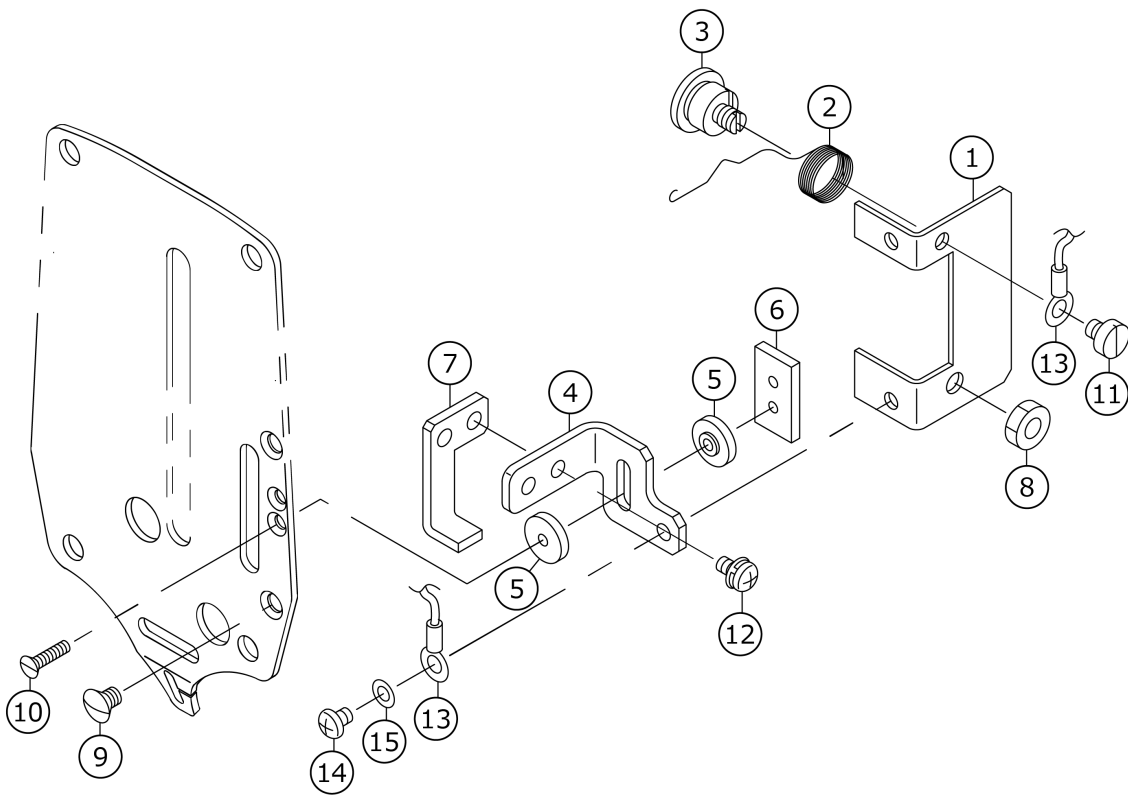
51	SD0450403TP	HINGE SCREW		*		2.00
52	WP0451026SH	WASHER		*		2.00
53	WP0320501SC	WASHER M3		*		2.00
54	D3149141E00	SPRING		*		1.00
55	SS6081810SP	SCREW 1/8-44 L=18.0		*		1.00
56	NS6080210SP	NUT 1/8-44		*		1.00
57	WS0410002KN	SPRING WASHER		*		1.00
58	WP0320501SC	WASHER M3		*		1.00
59	MAZ08920000A	LINK BAR		*		1.00
60	MAZ08921000	LINK SCREW, B		*		2.00
61	MAZ08922000	SHADING PLATE		*		1.00
62	SM6030402TP	SCREW M3X0.5 L=4		*		1.00
63	GBR01607000	SPRING HOOK		*		1.00
64	NS6080210SP	NUT 1/8-44		*		1.00
65	MAZ089820A0	BUTTON SENSER SWITCH ASM.				1.00
66	B2540372000	HINGE PIN				1.00
67	B2541372000	SNAP RING				1.00
68	B2544372000	BUTTON CLAMP PRESSURE ADJUSTIN				1.00
69	B2545372000	PRESSURE ADJUSTING SPRING				1.00
70	NS6660511SP	NUT 1/4				2.00

WIPER COMPONENTS



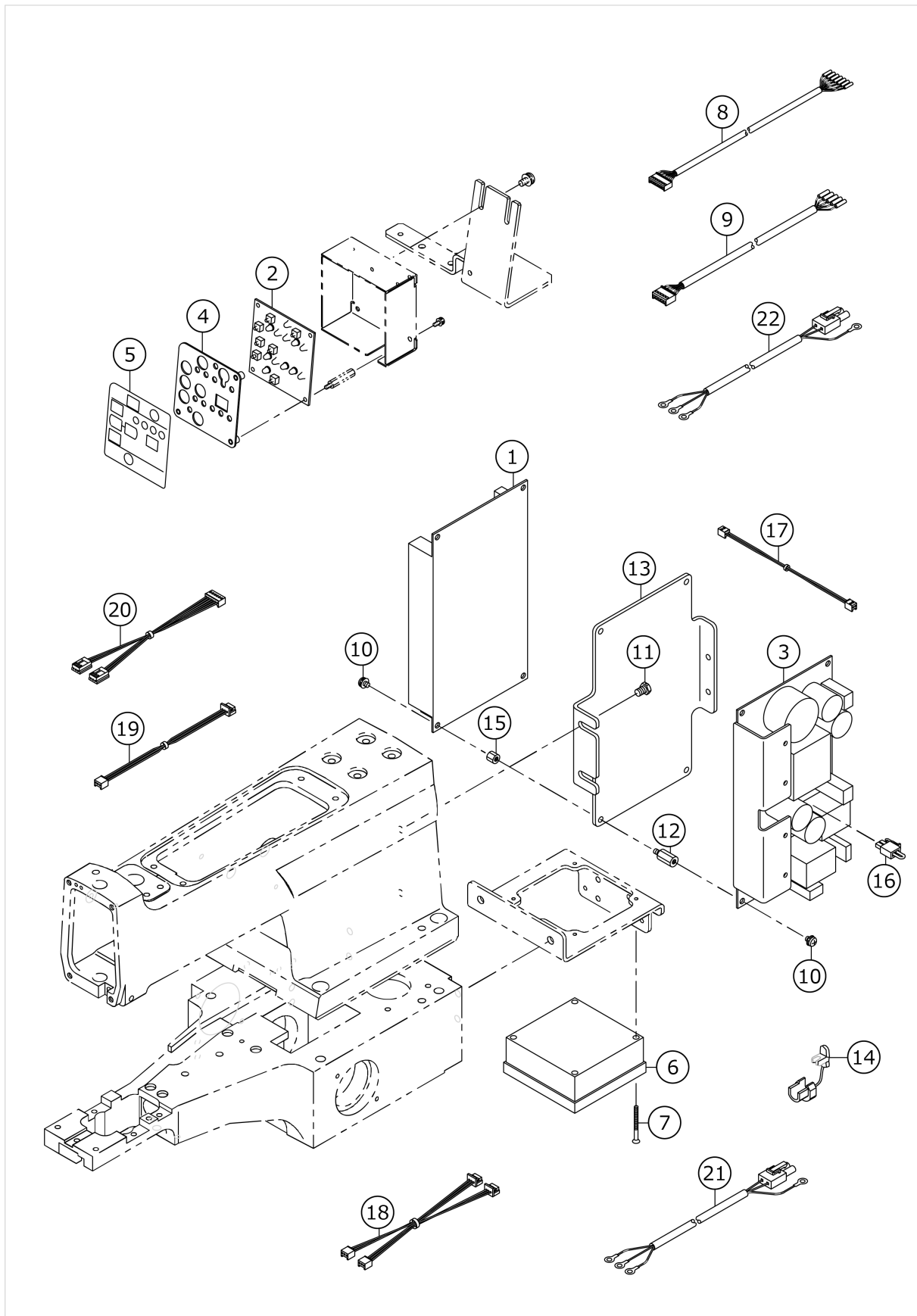
No.	品番	品名	備考	子部品	消耗品	個数
1	MAZ089860A0	WIPER SOLENOID ASM.				1.00
2	MAZ08801000	WIPER MAGNET		*		1.00
3	D2118555B00A	PLUNGER		*		1.00
4	MAT80113T00	SPRING		*		1.00
5	MAT80115T00	WASHER		*		1.00
6	HW5F18S1228	TWO-CORE CORD		*		0.90
7	NM6043212SA	NUT M4X0.7		*		2.00
8	RE0901110K0	SNAP RING 9		*		1.00
9	WS0410002KS	SPRING WASHER M4		*		1.00
10	MAZ08802000	INSTALLING BASE				1.00
11	MAZ08803000	INSTALLING BASE COVER				1.00
12	MAZ025060A0	WIPER UNIT ASM.				1.00
13	MAZ02506000	WIPER		*		1.00
14	MAZ02507000A	WIPER THREAD GUARD SPRING		*		1.00
15	SS5060310SP	SCREW 3/32-56 L=2.8		*		2.00
16	MAZ02504000	WIPER LINK		*		1.00
17	MAZ02505000	WIPER BASE		*		1.00
18	NS6110310SP	NUT 11/64-40		*		2.00
19	SD0460571CP	HINGE SCREW D=4.6 H=5.7		*		1.00
20	SD0550211SP	HINGE SCREW		*		1.00
21	SS6121220TP	SCREW 3/16-28 L=11.5		*		1.00
22	WS0521010KN	SPRING WASHER 5.2X8.2X1		*		1.00
23	WP0480856SP	WASHER 4.8X8.4X0.8		*		1.00
24	D2107555B00	WIPER LINK SHAFT, A				1.00
25	RE0250000K0	E-RING 2.5				2.00
26	SM4040601SB	SCREW M4 L=6				4.00
27	SS7110340SP	SCREW 11/64-40 L= 3.2				3.00
28	WP0480856SP	WASHER 4.8X8.4X0.8				4.00
29	SS4120615SP	SCREW 3/16-28 L=6				1.00
30	SS7091110TP	SCREW 9/64-40 L=10.5				2.00
31	G5413161000	SENSOR BRACKET				1.00
32	MAZ089850A0	WIPER SENSOR SW ASM.				1.00
33	G5415161000	WIPER GUIDE				1.00
34	G5414161000	WIPER SENSOR PLATE				1.00
35	SS7090520TP	SCREW 9/64-40 L= 4.5				2.00

SENSOR COMPONENTS



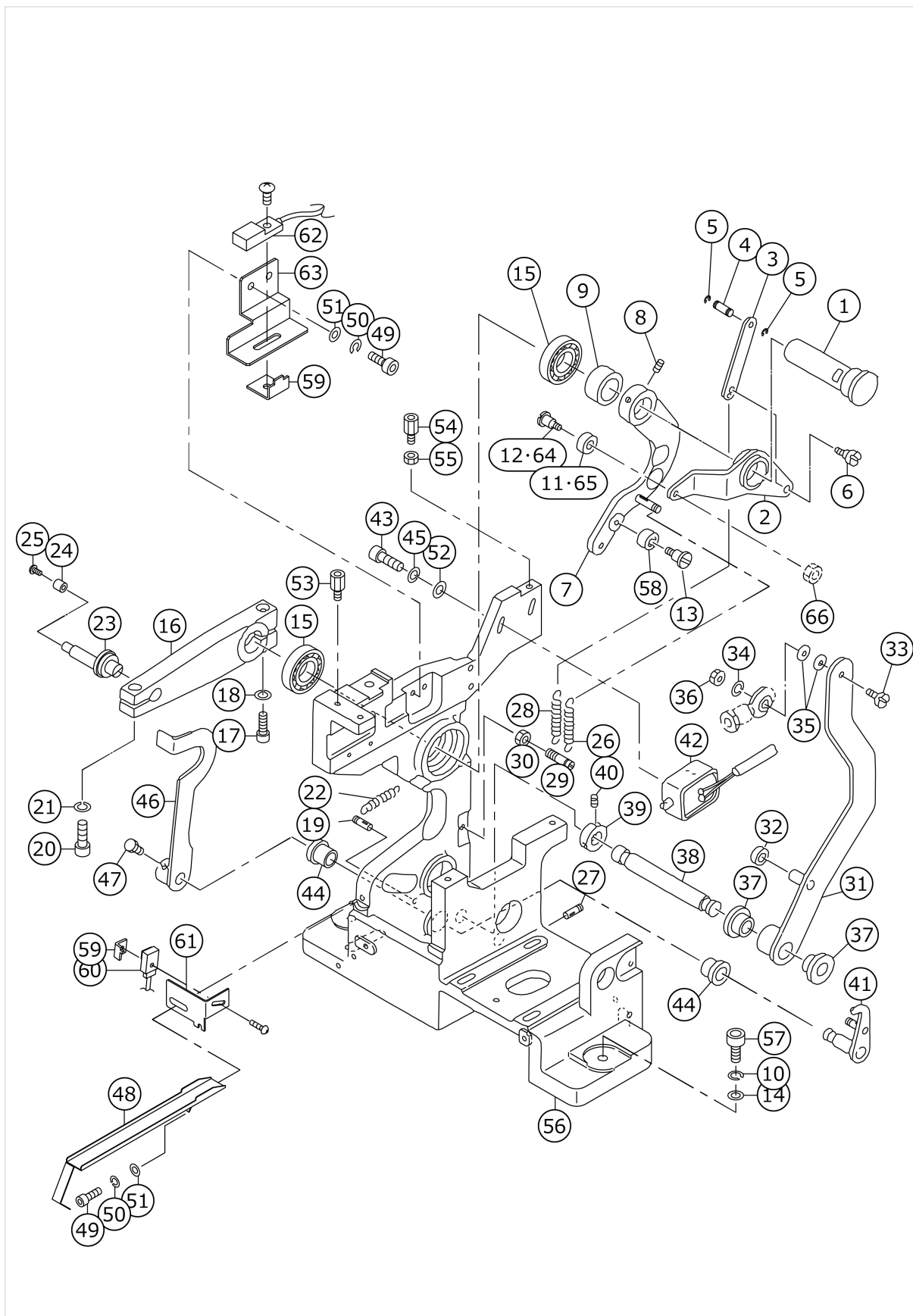
No.	品番	品名	備考	子部品	消耗品	個数
1	MAZ08941000	SENSOR SUPPORT PLATE				1.00
2	MAZ08943000A	SENSOR SPRING				1.00
3	MAZ08942000	SCREW				1.00
4	MAZ08944000	ELECTRODE A				1.00
5	G5313162000	FRICTION PLATE				4.00
6	G5314162000	INSTALLING PLATE				1.00
7	MAZ08945000	ELECTRODE B				1.00
8	NS6110350SP	NUT 11/64-40				1.00
9	SS2090550TP	SCREW 9/64-40 L=5				2.00
10	SS1061010SP	SCREW 3/32-56 L=10				2.00
11	SS6090420SP	SCREW 9/64-40 L= 4.0				1.00
12	SL4030681SC	SCREW M3 L=6				2.00
13	MAZ089840A0	SENSOR SWICH ASM.				1.00
14	SM4030401SC	SCREW M3X0.5 L=4				1.00
15	WS0310002KN	SPRING WASHER M3				1.00

TRANSMISSION COMPONENTS



No.	品番	品名	備考	子部品	消耗品	個数
1	M8601630BA0	MAIN CIRCUIT BOARD B ASM.				1.00
2	M8602630AA0	PANEL CIRCUIT BOARD A ASM.				1.00
3	M86046300A0	PWR CIRCUIT BOARD ASM.				1.00
4	M2003630000	PANEL FITTING PLATE				1.00
5	M3001630000	PANEL SEET				1.00
6	M85405900A0	FAN ASM.				1.00
7	SM1033501SC	SCREW M3X0.5 L=35				4.00
8	M85306300A0	BR RELAY CORD				1.00
9	M85316300A0	POWER CABLE ASM.,100V				1.00
10	SL4040681SC	COMBINATION SCREW M4 X 8				8.00
11	SS9150910SP	SCREW				3.00
12	HX00339000E	SPACER				4.00
13	14602106	BOARD FITTING PLATE				1.00
14	HX000980000	CORD BUSH				1.00
15	HX005350000	SPACER				4.00
16	M85236000A0	INPUT CHANGEOVER CORD ASM.				1.00
17	M85026300A0	TEMPERATURE SENSOR CORD ASM.				1.00
18	M85056300A0	FEED HOME POSITION CORD ASM.				1.00
19	M85066300A0	STARTING CORD ASM.				1.00
20	M85076300A0	PRESSER SENSOR CORD ASM.				1.00
21	M85046300A0	TRANSMISSION POWER CORD ASM.				1.00
22	M85346300A0	POWER SOURCE CORD ASM.				1.00

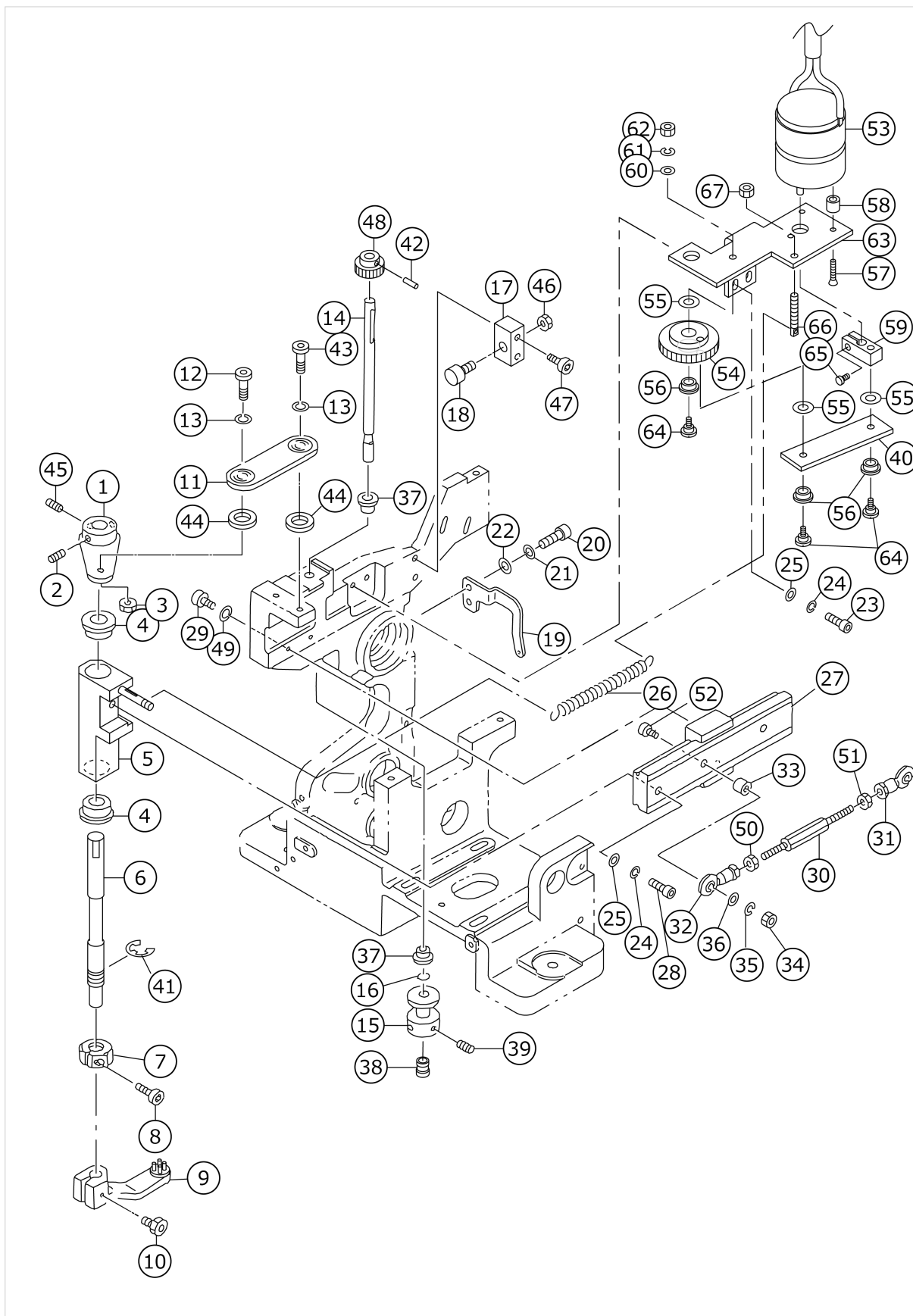
FINE POSITION OF BUTTONS COMPONENTS (1)



No.	品番	品名	備考	子部品	消耗品	個数
1	16552507	ARM SHAFT				1.00
2	18219709	RUBBING UP-AND-DOWN LEVER				1.00
3	18218206	RUBBING UP-AND-DOWN LINK				1.00
4	16557209	PIN				1.00
5	RE0200000K0	E-RING				2.00
6	SD0600341TP	HINGE SCREW D=6.0 H=3.4				1.00
7	18218453	VERTICAL LEVER ASM.				1.00
8	SM8050602TP	SCREW M5 L=6				2.00
9	16552606	THRUST COLLAR				1.00
10	WS0610002KN	SPRING WASHER 6.1X12.2X1.5				3.00
11	18219808	RUBBING ROLLER				1.00
12	SD0600401TP	HINGE SCREW D= 6 H= 4				1.00
13	SD0601021SP	HINGE SCREW D=6 H=10.2				1.00
14	16559601	WASHER				3.00
15	SB115000400	RADIAL BEARING				2.00
16	16554107	DRIVING ARM				1.00
17	SM6051552TP	SCREW M5 L=15				1.00
18	WS0510002KN	SPRING WASHER				1.00
19	18219006	DW PIN 4X14				1.00
20	SM6052502TP	SCREW M5X0.8 L=25				1.00
21	WS0510002KN	SPRING WASHER				1.00
22	16554008	SPRING				1.00
23	18207605	HOOK				1.00
24	GBR01160000	ROLLER				1.00
25	SM4030601SN	SCREW M3 X 6				1.00
26	16554008	SPRING				1.00
27	SM8050502TP	SCREW M5 L=5				1.00
28	16553208	SPRING				1.00
29	16553307	HOOK				1.00
30	NM6050001SC	NUT M5				1.00
31	16558900	TURNING LEVER				1.00
32	16556805	COLLAR				1.00
33	SM6042002TP	SCREW M4X0.7 L=20				1.00
34	WS0410002KN	SPRING WASHER				1.00
35	WP0430800SC	WASHER M4				2.00
36	NM6040001SC	NUT M4				1.00
37	16557506	LEVER SHAFT METAL				2.00
38	16554503	SHAFT				1.00
39	16559007	BASE A (BR-10)				1.00
40	SM8040602TP	SCREW M4X0.7 L=6				2.00
41	18217752	CLAMP RELEASE ASM.				1.00
42	GBR10852000	MAGNET				1.00
43	SM6031402TP	SCREW				2.00
44	16557605	SHAFT BUSHING				2.00
45	WS0310002KN	SPRING WASHER M3				2.00
46	16555401	CLAMP RELEASE ARM				1.00
47	SM6050802TP	SCREW M5X0.8 L=8				2.00
48	GBR11101000	SUPPORT PLATE				1.00
49	SM6041002TP	SCREW M4 L=10				3.00
50	WS0410002KN	SPRING WASHER				3.00

51	WP0430800SC	WASHER M4				3.00
52	WP0320500SC	WASHER M3				2.00
53	HX000560000	SPACER A				1.00
54	HX00056000C	SPACER				1.00
55	NM6030001SC	NUT M3				1.00
56	18218305	MAIN BODY FRAME				1.00
57	SM6063002TP	SCREW M6 L=30				3.00
58	16556706	BEARING				1.00
59	GBR11104000	SENSOR BRACKET				2.00
60	GBR118470A0	UPPER & LOWER SENSOR ASM.				1.00
61	GBR11102000	SENSOR BRACKET				1.00
62	GBR118420A0	SPINNER OSCILLATING ARM SW ASM				1.00
63	GBR11103000	SENSOR BRACKET				1.00
64	16553406	HINGE SCREW (2)				1.00
65	16553505	ROLLER				1.00
66	NM6040001SC	NUT M4				1.00

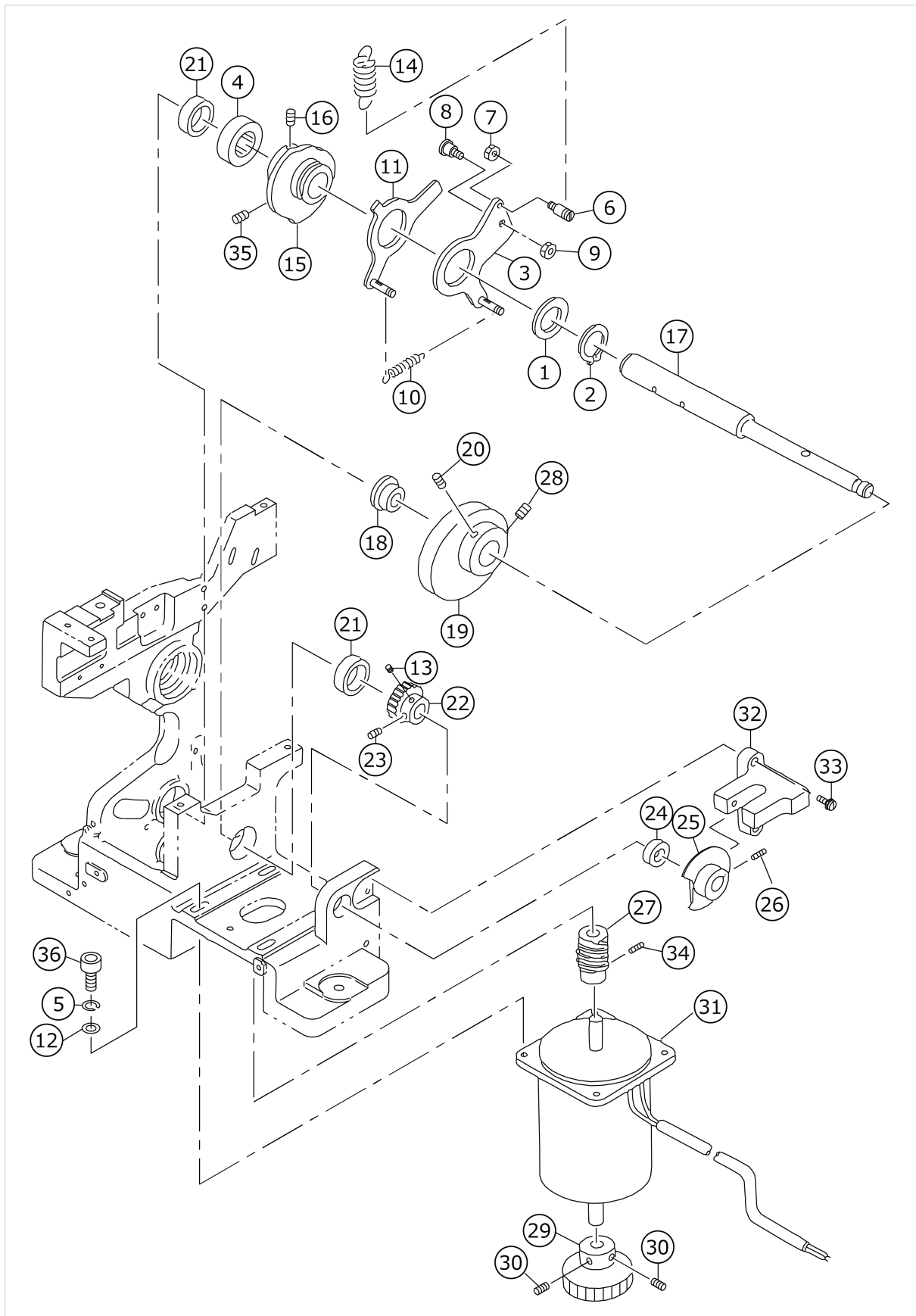
FINE POSITION OF BUTTONS COMPONENTS (2)



No.	品番	品名	備考	子部品	消耗品	個数
1	16550907	TURNING LEVER				1.00
2	SM8050602TP	SCREW M5 L=6				1.00
3	NM6050001SC	NUT M5				1.00
4	16557407	ARM SHAFT METAL				2.00
5	18217653	TURNING HEAD ASM.				1.00
6	18218503	TURNING SHAFT				1.00
7	16551400	STOPPER				1.00
8	SM6031202TP	SCREW M3X0.5 L=12				1.00
9	16557902	BUTTON CARRIER A				1.00
10	GBR11108000	CARRIER FIXED BOLT				1.00
11	16550758	TRANSFORMER CABLE ASM.				1.00
12	SM6051202TP	SCREW M5X0.8 L=12				1.00
13	WS0510002KS	SPRING WASHER M5				2.00
14	16552002	ROTATING ROD				1.00
15	16551905	HOOK				1.00
16	16558801	O-RING				1.00
17	18218800	STOPPER HOLDER				1.00
18	16552309	STOPPER				1.00
19	16552200	SPRING HOOK				1.00
20	SM6040802TR	SCREW M4X0.7 L=8				2.00
21	WS0410002KN	SPRING WASHER				2.00
22	WP0430800SC	WASHER M4				2.00
23	SM6041002TP	SCREW M4 L=10				2.00
24	WS0410002KN	SPRING WASHER				3.00
25	WP0430800SC	WASHER M4				3.00
26	16551806	SPRING				1.00
27	16556607	LM GUIDE				1.00
28	SM6041402TP	SCREW M4 L=14				1.00
29	SM6031402TP	SCREW				4.00
30	16550204	CONNECTING ROD				1.00
31	16556409	ROD END				1.00
32	16556300	ROD END				1.00
33	16550402	COLLAR B				1.00
34	NM6040001SC	NUT M4				1.00
35	WS0410002KN	SPRING WASHER				1.00
36	WP0430800SC	WASHER M4				1.00
37	16557308	METAL				2.00
38	18200501	WORK ATTACHMENT (SMALL)				1.00
39	SM8040602TP	SCREW M4X0.7 L=6				2.00
40	GBR11113000	LINK				1.00
41	RE0800000K0	E-SHAPED SNAP RING (8MM)				1.00
42	PH0300125S0	PIN				1.00
43	SM6051602TP	SCREW M5X0.8 L=16				1.00
44	WP0531001SF	WASHER M5				2.00
45	SM8050502TP	SCREW M5 L=5				1.00
46	NM6060001SC	NUT M6				1.00
47	SM6042002TP	SCREW M4X0.7 L=20				2.00
48	GBR11110000	PINION, A				1.00
49	WS0310002KN	SPRING WASHER M3				4.00
50	NM6040001SC	NUT M4				1.00

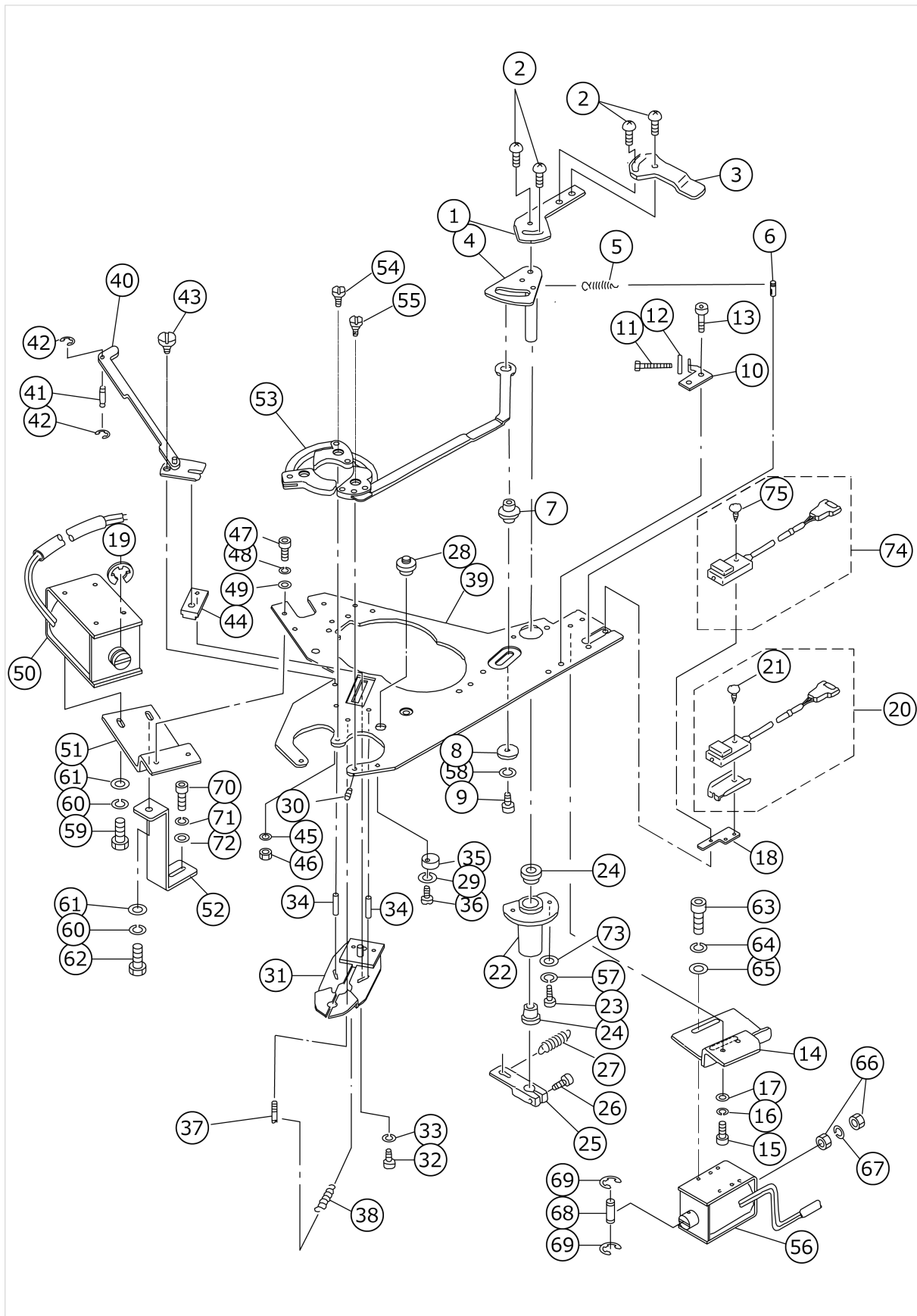
51	GBR01175000	ROD END NUT, LEFT				1.00
52	SM6042502TP	SCREW M4X0.7 L=25				1.00
53	GBR108550A0	DC MOTOR ASM.				1.00
54	GBR11111000	PINION, B				1.00
55	GBR111114000	WASHER				3.00
56	E5006171000	PS BEARING				3.00
57	SM1031401SC	SCREW M3X0.5 L=14				3.00
58	11110707	WIPER HINGE SCREW COLLAR				3.00
59	GBR11112000	DRIVING ARM				1.00
60	WP0430801SC	WASHER 4.3X9X0.8				1.00
61	WS0410002KN	SPRING WASHER				1.00
62	NS6110360SP	NUT				1.00
63	GBR11109000	BRACKET				1.00
64	SD0600651TP	HINGE SCREW				3.00
65	SM6030602TP	SCREW M3X0.5 L=6				1.00
66	B1649161000	TENSION SPRING ADJUSTING SCREW				1.00
67	NS6110360SP	NUT				1.00

CAM COMPONENTS



No.	品番	品名	備考	子部品	消耗品	個数
1	GBR01120000	COLLAR				1.00
2	RC2500001KP	RETAINING RING 25				1.00
3	18217950	START TIMING CAM ASM.				1.00
4	16560203	CAM SHAFT COLLAR 2				1.00
5	WS0610002KN	SPRING WASHER 6.1X12.2X1.5				4.00
6	16562803	HOOK				1.00
7	NM6040001SC	NUT M4				1.00
8	16562902	HINGE SCREW				1.00
9	NM6050001SC	NUT M5				1.00
10	G5460340000	SPRING				1.00
11	18217851	CLOTH PRESSER HANGING CAM ASM.				1.00
12	WP0641600SC	WASHEW 6.4X12.5X1.6				4.00
13	SM8050602TP	SCREW M5 L=6				1.00
14	GBR01126000A	TENSION SPRING				1.00
15	16560401	CAM				1.00
16	SM8050612TP	SCREW M5X6				1.00
17	16560005	CAM SHAFT				1.00
18	16560104	CAM SHAFT COLLAR 1				1.00
19	16561607	SPINNER OSCILLATING ARM CAM				1.00
20	SM8050812TP	SCREW M5X8				1.00
21	GBR01168000	NEEDLE BEARING 3				2.00
22	16562001	WORM WHEEL				1.00
23	16562407	SCREW				1.00
24	16562308	NEEDLE BEARING				1.00
25	GBR11107000	SENSOR DOCK				1.00
26	SM8040602TP	SCREW M4X0.7 L=6				1.00
27	16562100	WORM GEAR				1.00
28	SM8050842TP	SETSCREW				1.00
29	G5418164000	SULLEY				1.00
30	SK3381301SC	WOOD SCREW				2.00
31	GBR108590A0	DC MOTOR ASM.				1.00
32	HD000360000	PHOTO MICRO SENSOR				1.00
33	SL4031081SC	SCREW M3 X 10				2.00
34	SM8040402TP	SCREW M4X0.7 L=4				2.00
35	SM8050842TP	SETSCREW				1.00
36	SM6062002TP	SCREW M6 L=20				4.00

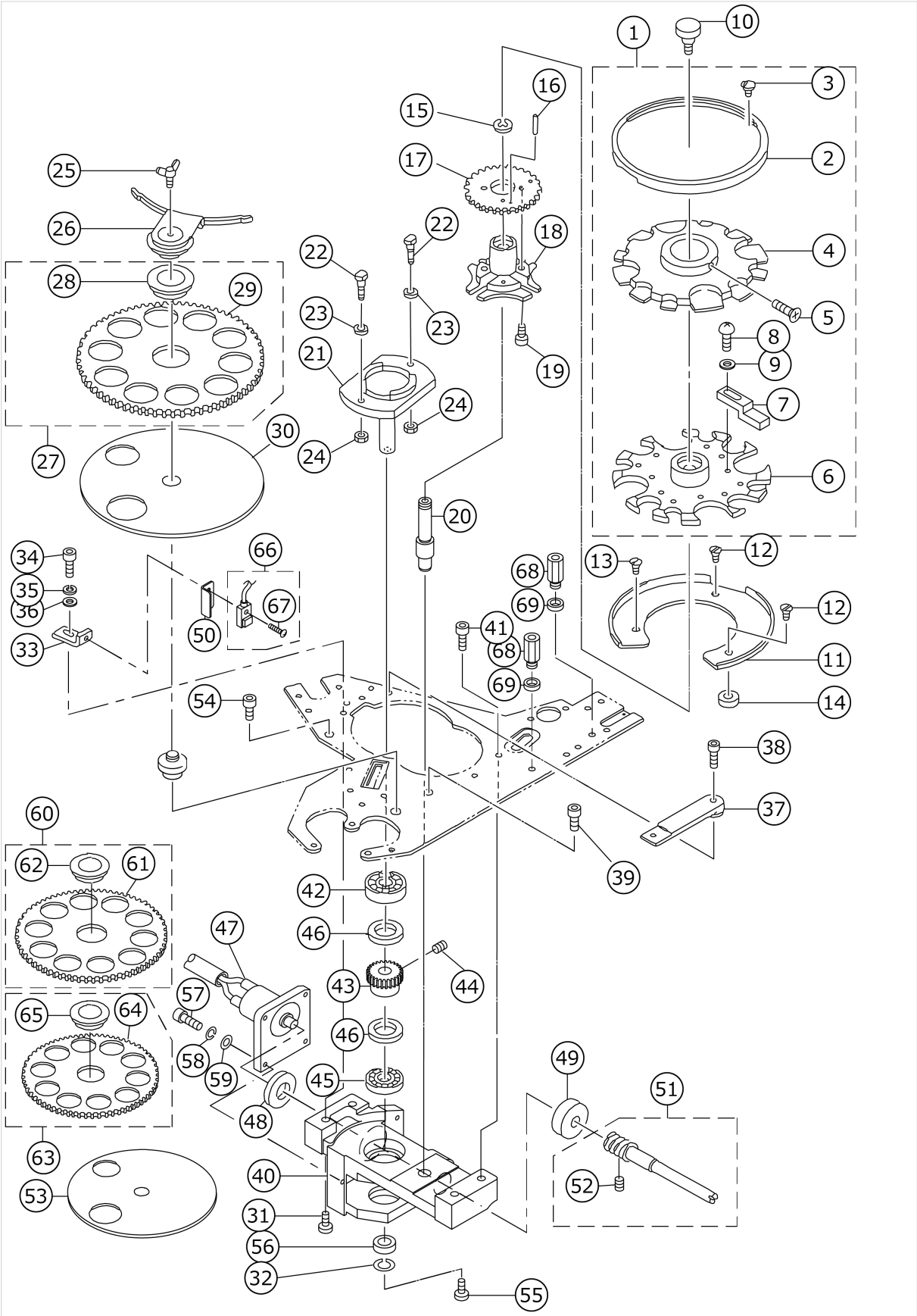
INDEX COMPONENTS (1)



No.	品番	品名	備考	子部品	消耗品	個数
1	16566507	CHECK DOG				1.00
2	SM0040601SC	SCREW M4X0.7 L=6				4.00
3	16574105	DOG				1.00
4	16566002	SPINNER CAM				1.00
5	16553208	SPRING				1.00
6	18218909	DW PIN 4X12				1.00
7	16565707	SHAFT (1)				1.00
8	B2107816000	WASHER				1.00
9	SM6041002TP	SCREW M4 L=10				1.00
10	16566606	STOPPER BKT				1.00
11	SM8042502TP	SCREW M4X0.7 L=25				1.00
12	NM6040001SC	NUT M4				1.00
13	SM6040802TR	SCREW M4X0.7 L=8				2.00
14	16567000	BRACKET (1)				1.00
15	SM6041002TP	SCREW M4 L=10				2.00
16	WS0410002KN	SPRING WASHER				2.00
17	WP0430800SC	WASHER M4				2.00
18	16574006	BRACKET				1.00
19	RE1200000K0	E-RING 12				1.00
20	GBR108430A0	RUB COMPLETION SWITCH ASM.				1.00
21	SM0861201SA	SCREW		*		1.00
22	16565905	CUPLING				1.00
23	SM6041002TP	SCREW M4 L=10				2.00
24	16572406	METAL				2.00
25	16566408	LINK LEVER				1.00
26	SM6041202TP	SCREW M4X0.7 L=12				1.00
27	18201608	SPRING, 2				1.00
28	18218008	SHAFT (2)				1.00
29	WP0430800SC	WASHER M4				1.00
30	SM8030402TP	SCREW M3X0.5 L=4				1.00
31	16567166	SHUTTER PLATE ASM.				1.00
32	SM6041202TP	SCREW M4X0.7 L=12				1.00
33	WS0410002KN	SPRING WASHER				1.00
34	18204107	PIN				2.00
35	18209502	ECCENTRIC STOPPER				1.00
36	SM6041202TP	SCREW M4X0.7 L=12				1.00
37	18219204	DW PIN 4*18				1.00
38	16554008	SPRING				1.00
39	GBR11117000	TOP PLATE				1.00
40	16567802	LINK PLATE				1.00
41	16572505	PIN				1.00
42	RE0250000K0	E-RING 2.5				2.00
43	16567901	HING SCREW				1.00
44	16573305	SLIDER BLOCK				1.00
45	WS0410002KN	SPRING WASHER				1.00
46	NM6040001SC	NUT M4				2.00
47	SM6041002TP	SCREW M4 L=10				2.00
48	WS0410002KN	SPRING WASHER				2.00
49	WP0430800SC	WASHER M4				2.00
50	GBR10853000	MAGNET				1.00

51	16568206	BRACKET (2)				1.00
52	16574204	SUPPORT PLATE				1.00
53	18202150	CHECK ASM., A				1.00
54	16565400	HING PIN (2)				2.00
55	16565509	HING PIN (1)				1.00
56	GBR10854000	MAGNET				1.00
57	WS0410002KN	SPRING WASHER				2.00
58	WS0410002KN	SPRING WASHER				1.00
59	SM6040802TP	SCREW M4X0.7 L=8				3.00
60	WS0410002KN	SPRING WASHER				4.00
61	WP0430800SC	WASHER M4				4.00
62	SM6041202TP	SCREW M4X0.7 L=12				1.00
63	SM6040802TP	SCREW M4X0.7 L=8				2.00
64	WS0410002KN	SPRING WASHER				2.00
65	WP0430800SC	WASHER M4				2.00
66	NM6040001SC	NUT M4				2.00
67	WS0410002KN	SPRING WASHER				1.00
68	16557209	PIN				1.00
69	RE0200000K0	E-RING				2.00
70	SM6061602TP	SCREW M6 L=16				1.00
71	WS0610002KN	SPRING WASHER 6.1X12.2X1.5				1.00
72	WP0641600SC	WASHEW 6.4X12.5X1.6				1.00
73	WP0430800SC	WASHER M4				2.00
74	GBR108440A0	BUTTON SENSOR SWITCH ASM.				1.00
75	SM0861201SA	SCREW		*		1.00

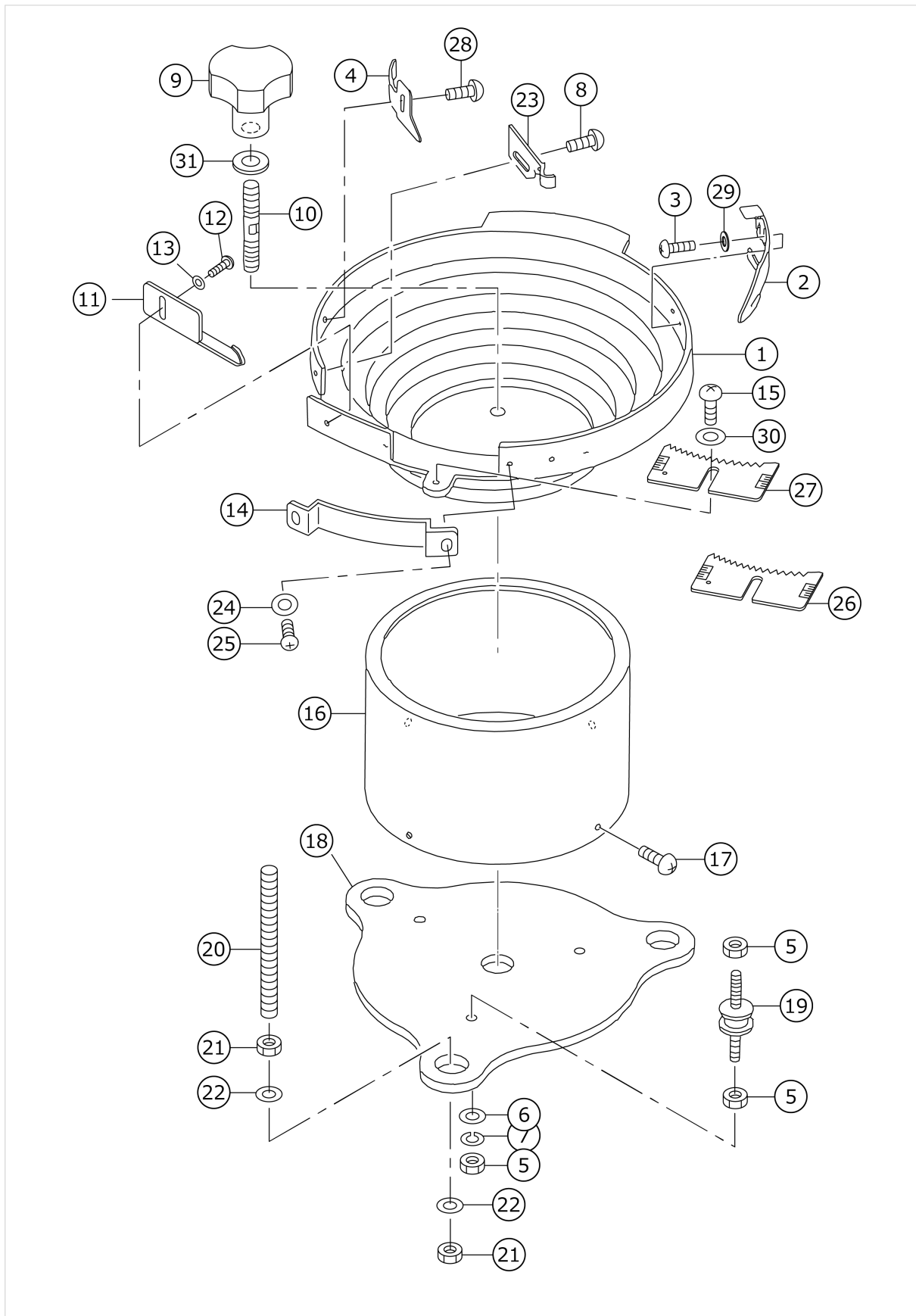
INDEX COMPONENTS (2)



No.	品番	品名	備考	子部品	消耗品	個数
1	18201962	FEED ACROSS PLATE ASM. A				1.00
2	16573701	RING		*		1.00
3	SM0040601SC	SCREW M4X0.7 L=6		*		2.00
4	18203307	ADJUSTING PLATE		*		1.00
5	SL4030881SC	SCREW M3 L=8		*		1.00
6	18201905	FEED PLATE A		*		1.00
7	18202002	BUTTON ADJUST A		*		8.00
8	SM4860501SC	SCREW M 2.6 X 5		*		8.00
9	WP0280500SC	WASHER		*		8.00
10	16573800	SCREW				1.00
11	16569204	REST				1.00
12	SM1041201SC	SCREW M4 L=12				2.00
13	SM1040601SC	SCREW M4X0.7 L=6				1.00
14	16573008	COLLAR				2.00
15	16571903	CLIP				1.00
16	PH0300185S0	PIN				1.00
17	16569600	GEAR				1.00
18	16569501	GENEVA				1.00
19	SM6030802TP	SCREW M3X0.5 L=8				2.00
20	18219501	DIVIDING MAIN SHAFT				1.00
21	16570103	WHEEL				1.00
22	16570202	SCREW				2.00
23	16570301	COLLAR				2.00
24	NM6040001SC	NUT M4				2.00
25	18204503	WING BOLT				1.00
26	16568909	COVER CAP				1.00
27	18200352	FEED PLATE CIRCLE 16 ASM.				1.00
28	16572703	METAL		*		1.00
29	18200303	FEED PLATE 16		*		1.00
30	16568404	FERRULE DISC				1.00
31	SM6052002TP	SCREW M5 L=20				1.00
32	WS0410002KN	SPRING WASHER				1.00
33	16570707	SENSOR BRACKET				1.00
34	SM6040802TR	SCREW M4X0.7 L=8				1.00
35	WS0410002KN	SPRING WASHER				1.00
36	WP0430800SC	WASHER M4				1.00
37	16570905	STAND PLATE (1)				1.00
38	SM6041202TP	SCREW M4X0.7 L=12				1.00
39	SM6051202TP	SCREW M5X0.8 L=12				1.00
40	18219600	GENEVA HOUSE				1.00
41	SM6051602TP	SCREW M5X0.8 L=16				3.00
42	SB110000400	BALL BEARING				1.00
43	16571507	WORM WHEEL				1.00
44	SM8050842TP	SETSCREW				2.00
45	16571804	BEARING A				1.00
46	16573909	THRUST COLLAR				2.00
47	GBR108560A0	DC MOTOR ASM.				1.00
48	16570509	THRUST COLLAR				1.00
49	16571408	NEEDLE BEARING				1.00
50	18212902	SENSOR COVER				1.00

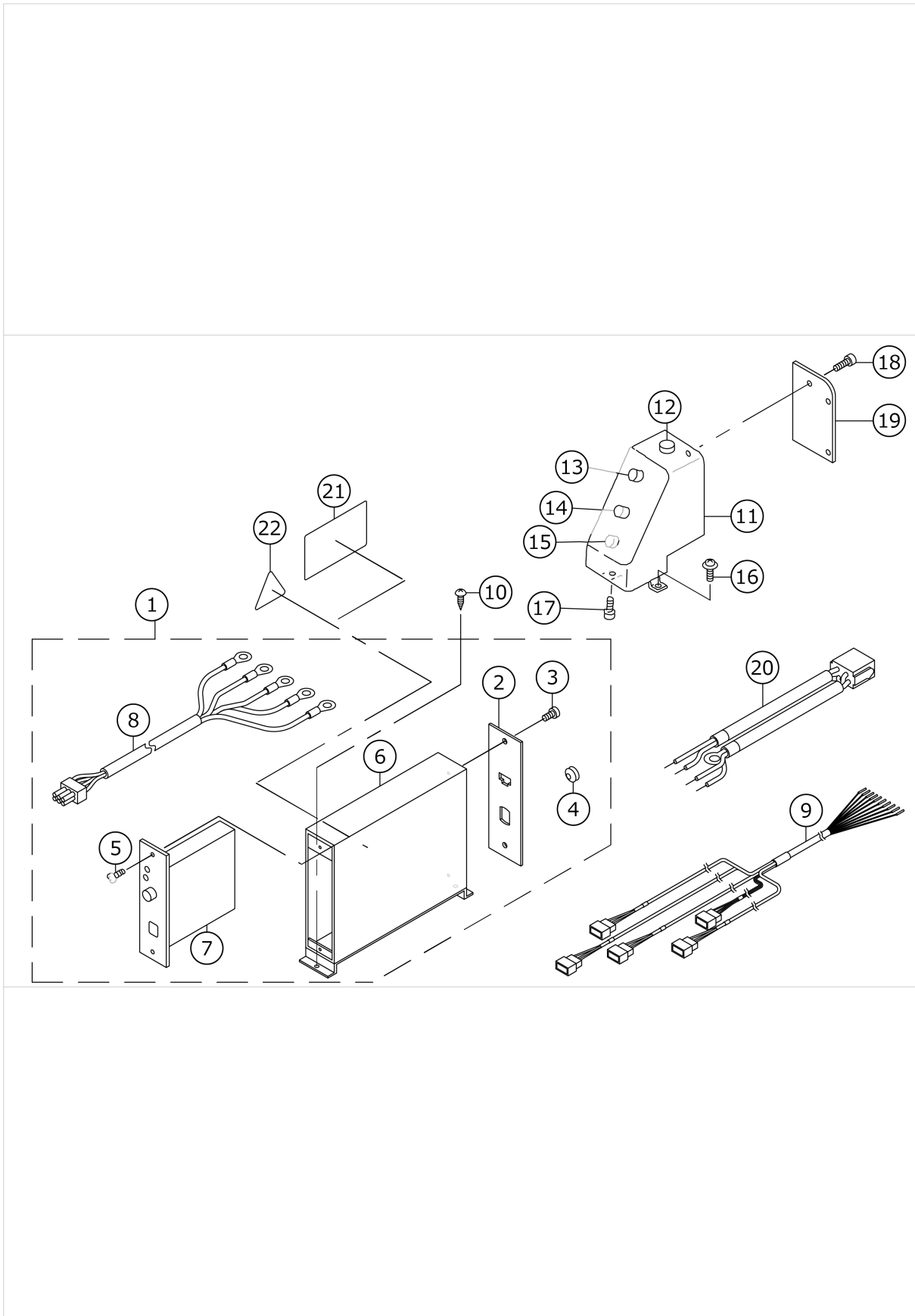
51	16570657	TURNING SHAFT ASM.				1.00
52	SM8040402TP	SCREW M4X0.7 L=4		*		2.00
53	18201103	HOLDING PLATE (SMALL)	OPTIONAL PARTS			1.00
54	SM6051202TP	SCREW M5X0.8 L=12				1.00
55	SM6041002TP	SCREW M4 L=10				1.00
56	B2107816000	WASHER				1.00
57	SM6030802TP	SCREW M3X0.5 L=8				4.00
58	WS0310002KN	SPRING WASHER M3				4.00
59	WP0320500SC	WASHER M3				4.00
60	16568651	FEED PLATE 22B ASM.	OPTIONAL PARTS			1.00
61	16568602	FEED PLATE 22B		*		1.00
62	16572703	METAL		*		1.00
63	18200956	FEED PLATE CIRCLE 13.5 ASM.	OPTIONAL PARTS			1.00
64	18200907	FEED PLATE 12.5		*		1.00
65	16572703	METAL		*		1.00
66	GBR108450A0	INDEX STARTING SWITCH ASM.				1.00
67	SM0861201SA	SCREW		*		1.00
68	HX003390000	STUD				2.00
69	B3052816000	WASHER				2.00

FEEDER BOWL COMPONENTS



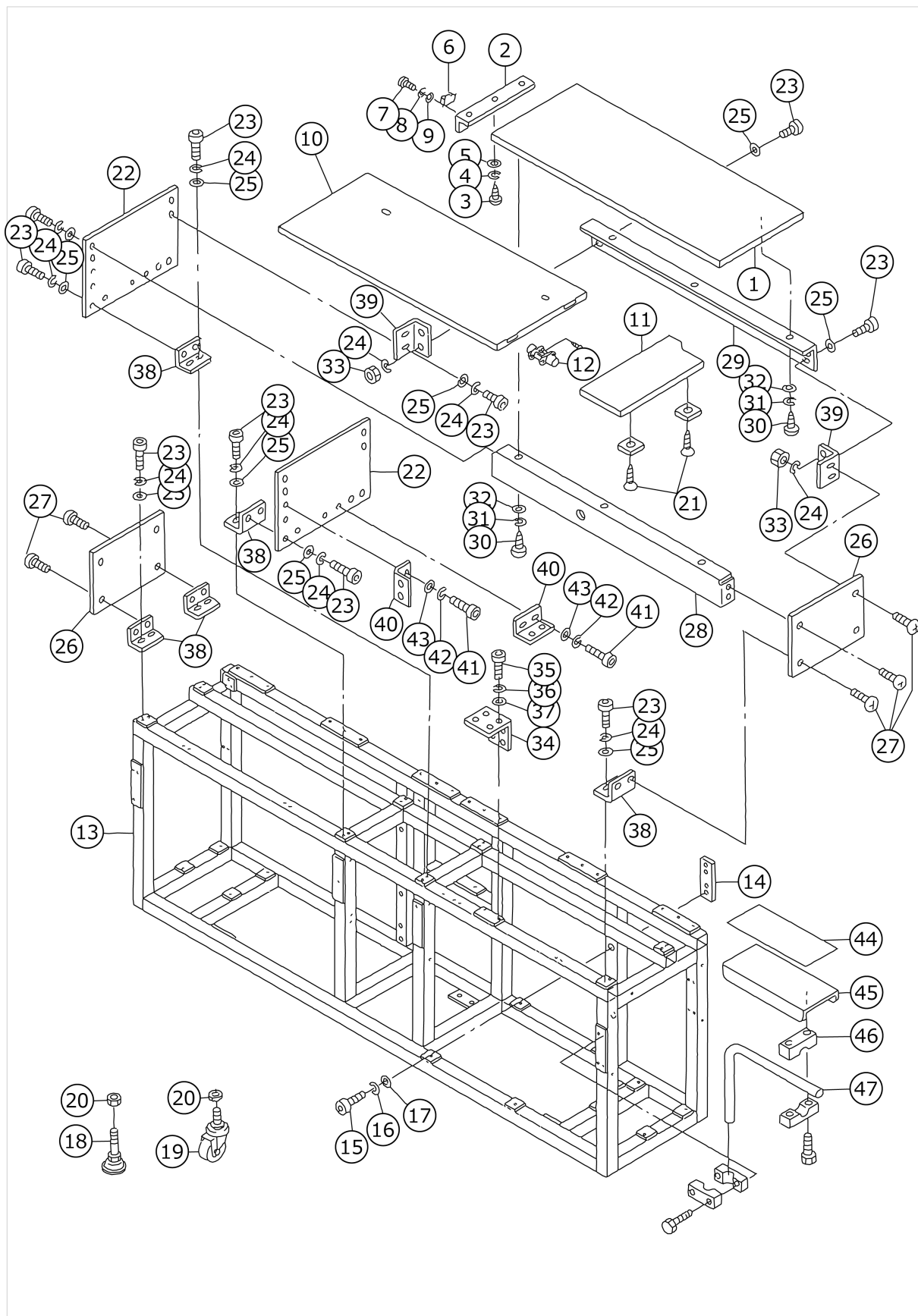
No.	品番	品名	備考	子部品	消耗品	個数
1	16577009	FEEDER BOWL				1.00
2	GBR01426000	GUIDE PLATE				1.00
3	SS4110815SP	SCREW 11/64-40 L=8				2.00
4	GBR01441000	BUTTON STANDING PREVENT PLATE				1.00
5	NM6060001SC	NUT M6				9.00
6	WP0641600SC	WASHEW 6.4X12.5X1.6				3.00
7	WS0610002KN	SPRING WASHER 6.1X12.2X1.5				3.00
8	SM0041001SN	SCREW M4 L=10				1.00
9	18204602	BOWL FIXING KNOB				1.00
10	GBR01432000	BOWL FIXING SCREW				1.00
11	16577504	SELECTOR PLATE				1.00
12	SM4041001SN	SCREW M4X0.7 L=10				1.00
13	WP0430800SC	WASHER M4				1.00
14	GBR01428000	GUIDE PLATE				1.00
15	SM4051001SN	SCREW M5				1.00
16	16577207	P/F COVER				1.00
17	SM0040601SC	SCREW M4X0.7 L=6				4.00
18	16577108	P/F INSTALLING BASE				1.00
19	GBR01429000A	VIBRATION-PROOF RUBBER				3.00
20	16577306	MOUNTING BOLT				3.00
21	NM6080001SC	NUT M8X1.25				6.00
22	16577405	WASHER				6.00
23	18202408	BUTTON GUIDE A				1.00
24	WP0320500SC	WASHER M3				2.00
25	SM4030601SN	SCREW M3 X 6				2.00
26	GBR014220A0	SELECTION PLATE ASM. (SMALL)	OPTIONAL PARTS			1.00
27	18251553	SELECTION PLATE ASM. (VERY SMA				1.00
28	SM0041001SN	SCREW M4 L=10				1.00
29	WP0450801SD	WASHER 4.5X10X0.8				1.00
30	WP0531000SC	WASHER 5.3X10X1				1.00
31	WP0841601SC	WASHER 8.4X17.4X1.6				1.00

BR-CONTROL BOX COMPONENTS



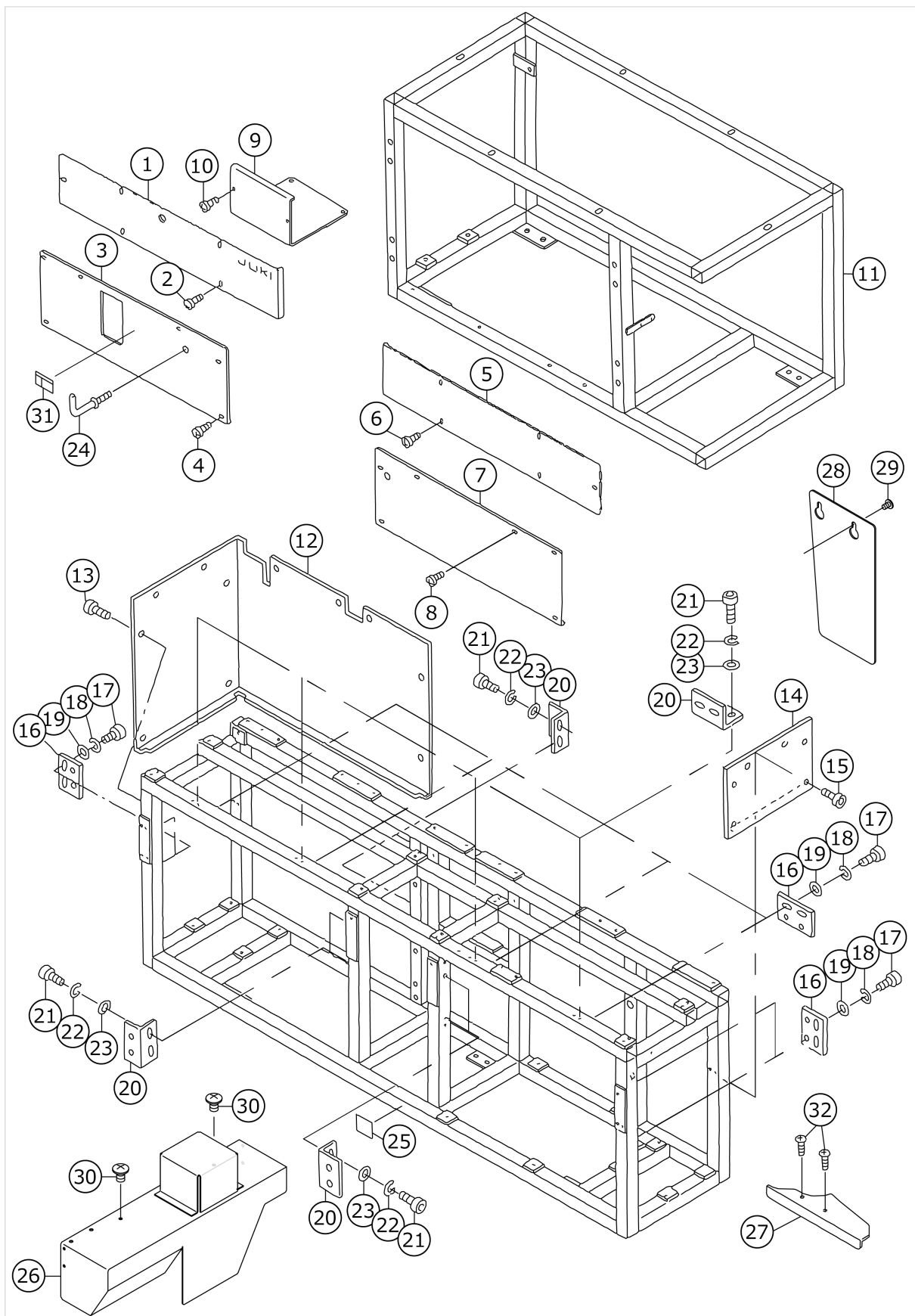
No.	品番	品名	備考	子部品	消耗品	個数
1	GBR118010A0	P/F CONTROLLER COMPL.				1.00
2	GBR10802000	P/F CONTROLLER BACK LID		*		1.00
3	SL4040691SC	SCREW M4 L=6		*		2.00
4	HX000980000	CORD BUSH		*		1.00
5	SM5040601SC	SCREW M4X0.7 L=6		*		2.00
6	GBR11801000	P/F CONTROLLER FRAME		*		1.00
7	GBR118110A0	P/F CONTROLLER ASM.		*		1.00
8	GBR108210A0	P/F POWER CORD ASM.		*		1.00
9	GBR118460A0	RELAY CABLE ASM.				1.00
10	SK3381301SC	WOOD SCREW				2.00
11	GBR11781000	PANEL BOX				1.00
12	GBR117860A0	BREAKER ASM.				1.00
13	GBR117850A0	BUTTON SUPPLY SW ASM.				1.00
14	GBR117830A0	STEP-KEEPER SW ASM.				1.00
15	GBR117840A0	EXHAUST SW ASM.				1.00
16	SL4041091SC	SCREW M4 L=10				1.00
17	SM6040802TN	SCREW				1.00
18	SL4030681SC	SCREW M3 L=6				3.00
19	GBR10782000	PANEL BOX BACK COVER				1.00
20	GBR118220A0	CONNECTING CORD ASM.				1.00
21	CM300100101	DANGER LABEL (SMALL)	FOR JAPAN			1.00
22	CM300100001	LABEL	FOR JE			1.00

FRAME COMPONENTS



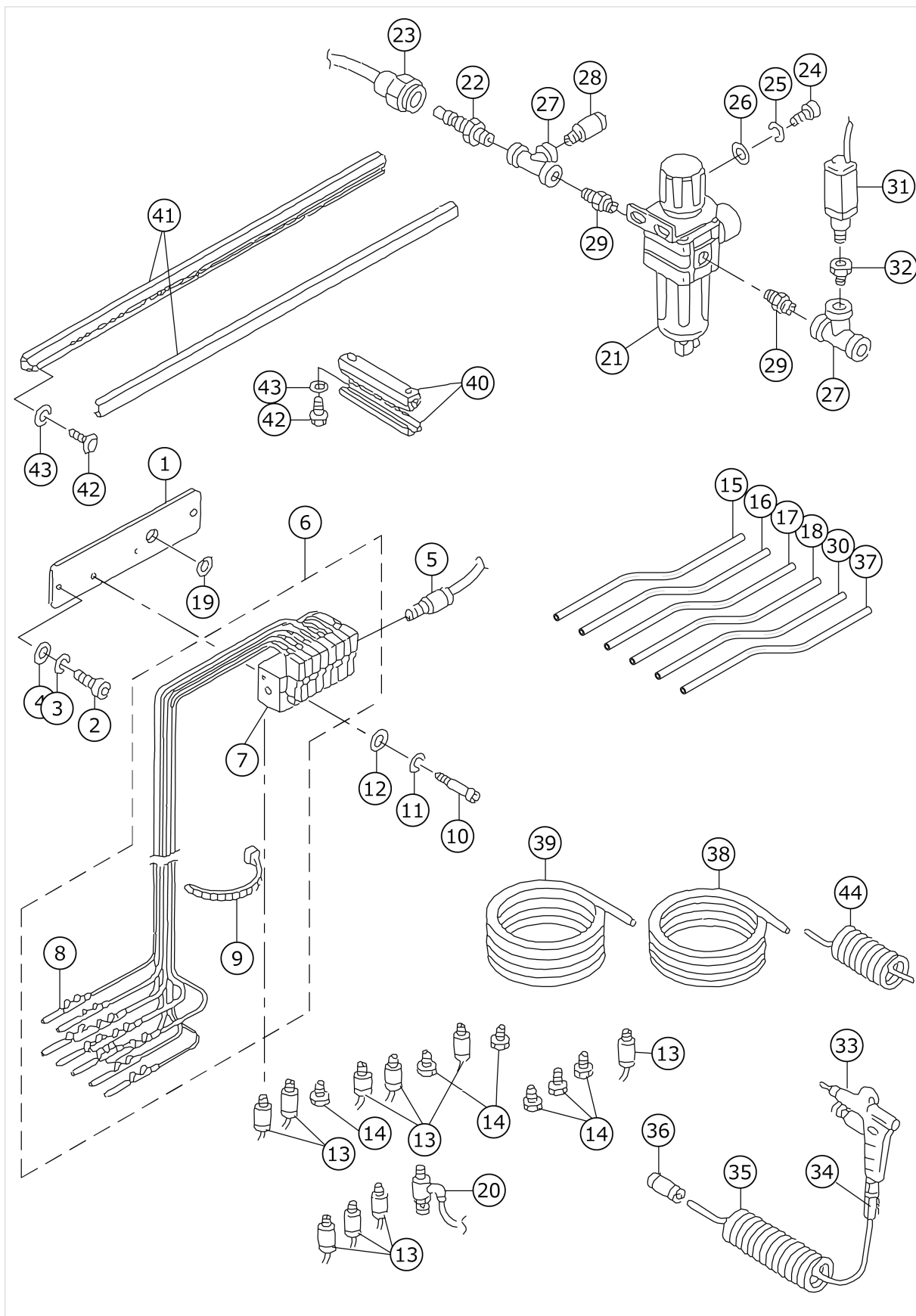
No.	品番	品名	備考	子部品	消耗品	個数
1	G5016164000	TABLE, RIGHT				1.00
2	G5018164000	BRACKET				1.00
3	SK3381601SC	WOOD SCREW D=3.8 L=16				3.00
4	WS0410002KN	SPRING WASHER				3.00
5	WP0430801SC	WASHER 4.3X9X0.8				3.00
6	G5045164000	MAGNET CATCH				2.00
7	SM6030602TP	SCREW M3X0.5 L=6				4.00
8	WS0310002KN	SPRING WASHER M3				4.00
9	WP0320501SC	WASHER M3				4.00
10	G5015164000	TABLE, LEFT				1.00
11	G5017164000	MOVABLE TABLE				1.00
12	G5020164000	HINGE				2.00
13	G5001164000	BASE FRAME				1.00
14	G5041164000	CONNECTING PLATE				4.00
15	SM6082002TN	SCREW M8 L=20				16.00
16	WS0820002KN	SPRING WASHER M8				16.00
17	WP0841601SC	WASHER 8.4X17.4X1.6				16.00
18	G5033172000	ADJUSTER				4.00
19	G5032164000	CASTER				6.00
20	NM6160001SC	NUT				10.00
21	SK1271301SD	WOOD SCREW D=2.7 L=13				2.00
22	G5002164000	TABLE SUPPORT PLATE INNER				2.00
23	SM6061202TP	SCREW M6 L=12				36.00
24	WS0610002KN	SPRING WASHER 6.1X12.2X1.5				36.00
25	WP0641601SC	WASHER				36.00
26	G5003164000	TABLE SUPPORT PLATE OUTER				2.00
27	SM0060801SA	SCREW				8.00
28	G5004164000	TABLE SUPPORT, FRONT				2.00
29	G5005164000	TABLE SUPPORT, REAR				2.00
30	SK3381601SC	WOOD SCREW D=3.8 L=16				12.00
31	WS0410002KN	SPRING WASHER				12.00
32	WP0430801SC	WASHER 4.3X9X0.8				12.00
33	NM6060001SC	NUT M6				4.00
34	G5028164000	INSTALLING PLATE				1.00
35	SM6061202TP	SCREW M6 L=12				2.00
36	WS0610002KN	SPRING WASHER 6.1X12.2X1.5				2.00
37	WP0641601SC	WASHER				2.00
38	G5038171000	SIDE PLATE SUPPORT				8.00
39	G5045171000	SIDE PLATE HOLDER				4.00
40	G5034171000	COVER SUPPORT				14.00
41	SM6040802TP	SCREW M4X0.7 L=8				28.00
42	WS0410002KN	SPRING WASHER				28.00
43	WP0430801SC	WASHER 4.3X9X0.8				28.00
44	G5022164000	CUSHION				1.00
45	G5021164000	CLOTH TABLE				1.00
46	B1141229000	OPERATION BOX STRUT CLAMP				4.00
47	G5023164000	STAY				1.00

COVER COMPONENTS



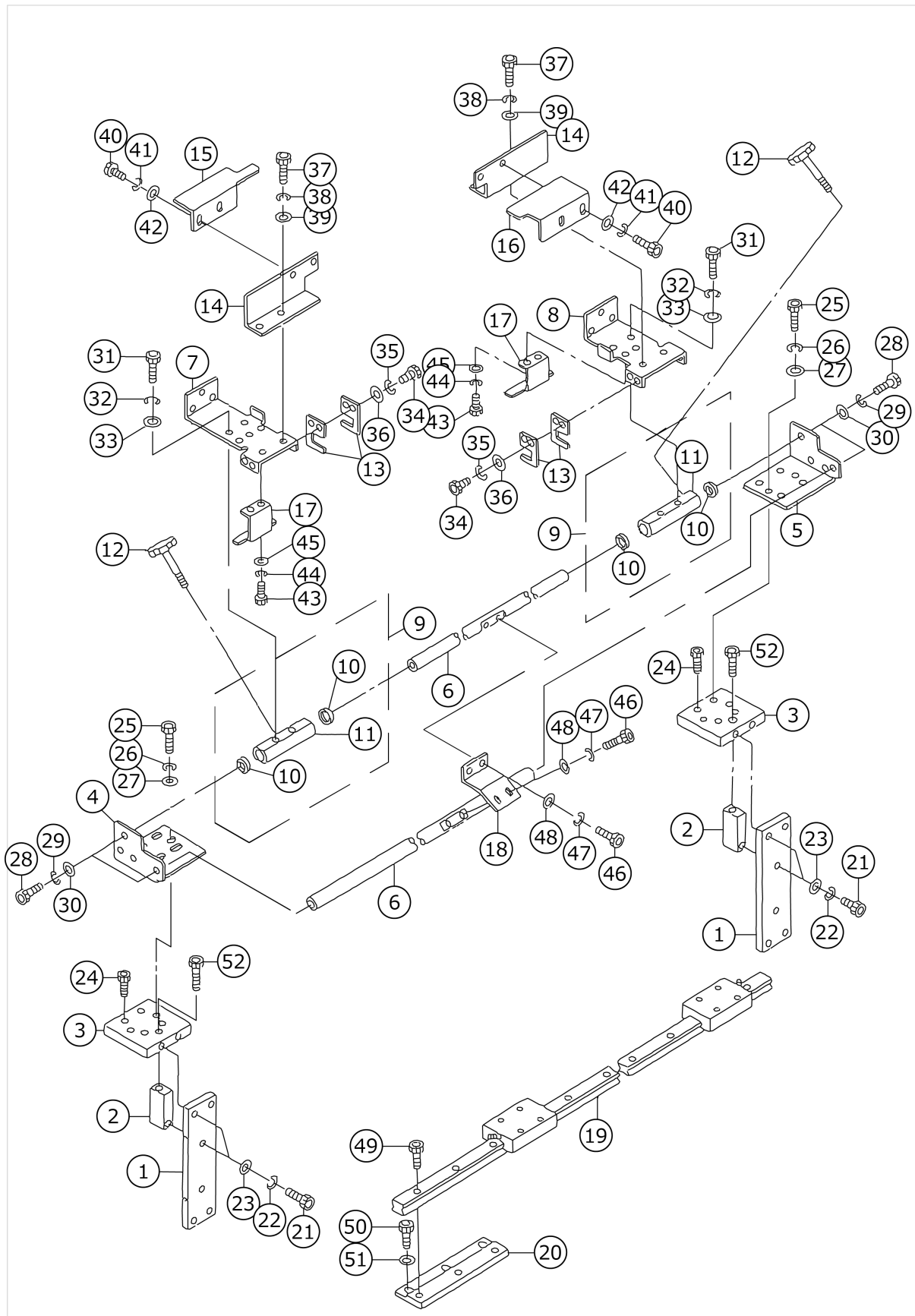
No.	品番	品名	備考	子部品	消耗品	個数
1	G5034164000	RIGHT UPPER COVER				1.00
2	SM0040601SA	SCREW				5.00
3	G5036164000	RIGHT LOWER COVER				1.00
4	SM0040601SA	SCREW				6.00
5	G5033164000	LEFT UPPER COVER				1.00
6	SM0040601SA	SCREW				5.00
7	G5035164000	LEFT LOWER COVER				1.00
8	SM0040601SA	SCREW				6.00
9	G5039164000	MIDDLE COVER				1.00
10	SM0040601SA	SCREW				2.00
11	G5401164A00	MACHINE BASE				1.00
12	G5037164000	LEFT SIDE COVER				1.00
13	SM0040601SA	SCREW				11.00
14	G5038164000	RIGHT SIDE COVER				1.00
15	SM0040601SA	SCREW				6.00
16	G5040164000	COVER SUPPORT, B				8.00
17	SM6040802TP	SCREW M4X0.7 L=8				16.00
18	WS0410002KN	SPRING WASHER				16.00
19	WP0430801SC	WASHER 4.3X9X0.8				16.00
20	G5034171000	COVER SUPPORT				14.00
21	SM6040802TP	SCREW M4X0.7 L=8				28.00
22	WS0410002KN	SPRING WASHER				28.00
23	WP0430801SC	WASHER 4.3X9X0.8				28.00
24	G5026162000	HOOK				1.00
25	16870206	GRAVITY SEAL				1.00
26	GBR11105000B	UPPER COVER				1.00
27	18222604	FRONT COVER A				1.00
28	16586307	COVER,REAR				1.00
29	SM0040601SC	SCREW M4X0.7 L=6				2.00
30	SM0040601SA	SCREW				2.00
31	CM300200202	SAFETY LABEL 2 (LARGE)	FOR JAPAN			1.00
32	SM0040601SA	SCREW				2.00

SOLENOID VALVE & REGULATOR COMPONENTS



No.	品番	品名	備考	子部品	消耗品	個数
1	G5029164000	SOLENOID VALVE PLATE				1.00
2	SM6061202TP	SCREW M6 L=12				2.00
3	WS0610002KN	SPRING WASHER 6.1X12.2X1.5				2.00
4	WP0641601SC	WASHER				2.00
5	PJ301065103	HALF UNION 6XPT1/8				1.00
6	G64011640A0	SOLENOID VALVE ASM. (1)				1.00
7	PV1551080A0	SOLENOID VALVE		*		1.00
8	HK03464000A	TERMINAL, FEMALE		*		16.00
9	EA9500B0100	CABLE BAND		*		2.00
10	SM6033052TP	SCREW				2.00
11	WS0310002KN	SPRING WASHER M3				2.00
12	WP0320501SC	WASHER M3				2.00
13	PJ301040504	JOINTING				9.00
14	PJ020500001	PLUG				6.00
15	BT0400251E0	TUBE HOSE, CLEAR				1.00
16	BT0400251EH	TUBE HOSE, YELLOWISH				1.00
17	BT0400251EA	TUBE HOSE, BLUE				1.00
18	BT0400251ED	TUBE HOSE, GREEN				1.00
19	HX00055000J	RUBBER BUSHING				1.00
20	PC010514000	SPEED CONTROLLER				1.00
21	PF0552090A0	REGULATOR ASM.				1.00
22	PJ309005203	QUICK JOINT PLUG				1.00
23	PJ309005201	PLUG				1.00
24	SM6061202TP	SCREW M6 L=12				2.00
25	WS0610002KN	SPRING WASHER 6.1X12.2X1.5				2.00
26	WP0641601SC	WASHER				2.00
27	PJ050525201	TEE				2.00
28	PJ301065201	HALF UNION 6XPT1/4				1.00
29	PJ030520001	RING JOINT (NIPPLE)				2.00
30	BT0400251EE	TUBE HOSE, RED				1.00
31	G61071640A0	AIR PRESSURE SENSOR SW ASM.				1.00
32	PJ015251001	BUSHING				1.00
33	16111403	AIR GUN				1.00
34	16111502	SOCKET				1.00
35	G5458116000	CURLED TUBE				1.00
36	PJ303060001	STRAIGHT UNION				1.00
37	BT0400251EC	TUBE HOSE, YELLOW				1.00
38	BT0600401EB	TUBE				5.00
39	BT0400251EB	URETHANE HOSE, BLACK				3.00
40	G6801164000	DUCT, A				1.00
41	G6802164000	DUCT, B				1.00
42	SL4041081SF	SCREW M4 L=10				6.00
43	WP0450801SD	WASHER 4.5X10X0.8				6.00
44	G5046164000	TUBE				1.00

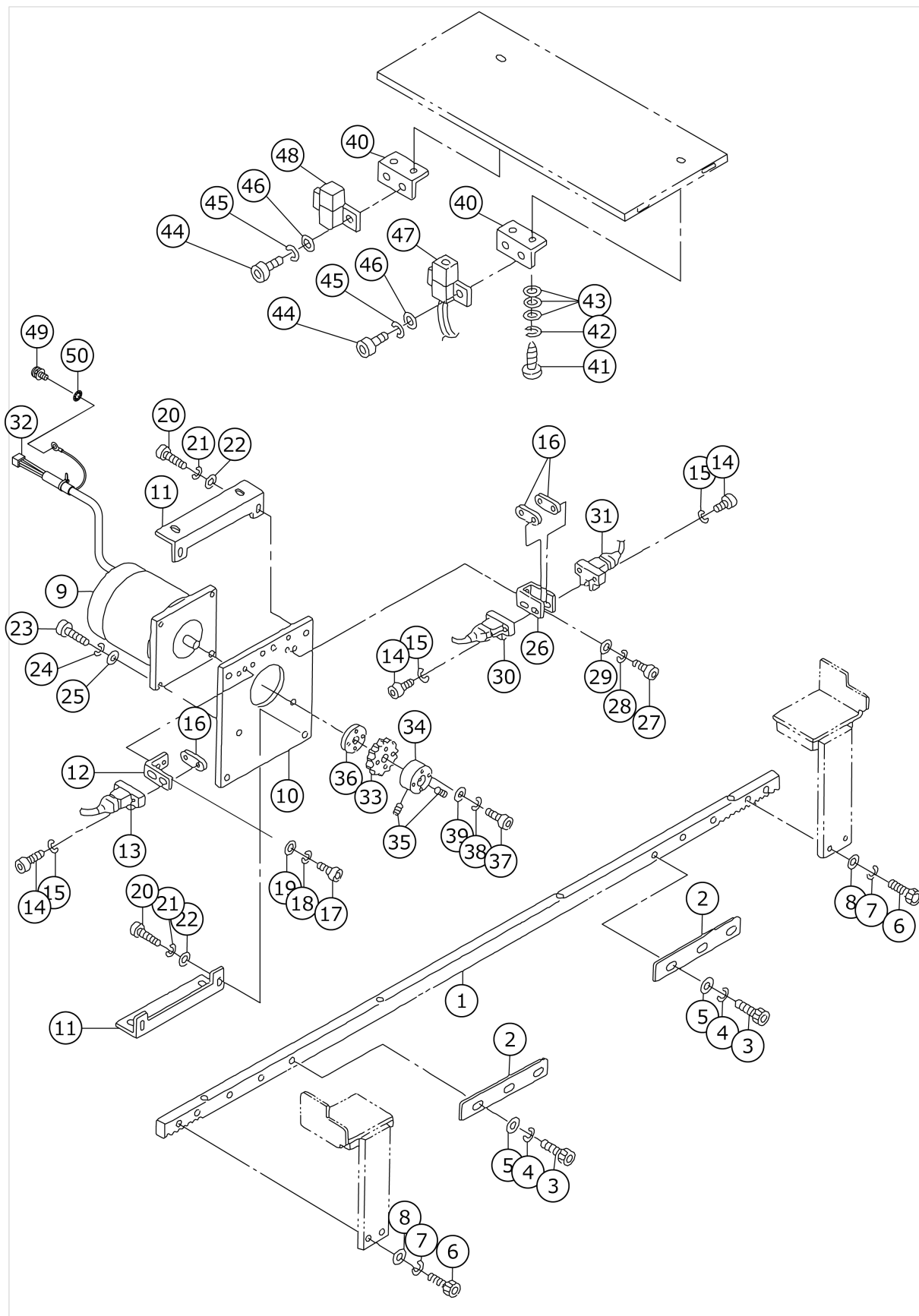
FEED MECHANISM COMPONENTS



No.	品番	品名	備考	子部品	消耗品	個数
1	G5103164000	STAND				2.00
2	G5104164000	STAND SUPPORT				2.00
3	G5105164000	LM BASE				2.00
4	G5106164000	SLIDER SHAFT SUPPORT, LEFT				1.00
5	G5107164000	SLIDER SHAFT SUPPORT, RIGHT				1.00
6	G5108164000	SLIDER SHAFT				2.00
7	G5109164000	FEEDER MAIN FRAME				1.00
8	G5110164000	FEEDER MAIN FRAME, RIGHT				1.00
9	G51111640A0	SLIDER SHAFT BLOCK ASM.				2.00
10	G5113164000	BUSH		*		4.00
11	G5112164000	SLIDER SHAFT HOLDER		*		2.00
12	G5114164000	BUSH				2.00
13	G5115164000	FIXED PLATE				4.00
14	G5120164000	PLATE SUPPORT				2.00
15	G5121164000	CLAMP PLATE, LEFT				1.00
16	G5122164000	CLAMP PLATE, RIGHT				1.00
17	G5123164000	SENSOR PLATE				2.00
18	G5134164000	COUPLING PLATE				1.00
19	G5010164000	FEED RAIL				1.00
20	G5009164000	FEED RAIL SUPPORT PLATE				6.00
21	SM6062002TP	SCREW M6 L=20				6.00
22	WS0610002KN	SPRING WASHER 6.1X12.2X1.5				6.00
23	WP0641601SC	WASHER				6.00
24	SM6051202TP	SCREW M5X0.8 L=12				8.00
25	SM6061202TP	SCREW M6 L=12				4.00
26	WS0610002KN	SPRING WASHER 6.1X12.2X1.5				4.00
27	WP0641601SC	WASHER				4.00
28	SM6061602TP	SCREW M6 L=16				4.00
29	WS0610002KN	SPRING WASHER 6.1X12.2X1.5				4.00
30	WP0641601SC	WASHER				4.00
31	SM6061002TP	SCREW M6 L=10				4.00
32	WS0610002KN	SPRING WASHER 6.1X12.2X1.5				4.00
33	WP0641601SC	WASHER				4.00
34	SM6041002TP	SCREW M4 L=10				4.00
35	WS0410002KN	SPRING WASHER				4.00
36	WP0430801SC	WASHER 4.3X9X0.8				4.00
37	SM6040802TP	SCREW M4X0.7 L=8				4.00
38	WS0410002KN	SPRING WASHER				4.00
39	WP0430801SC	WASHER 4.3X9X0.8				4.00
40	SM6040802TP	SCREW M4X0.7 L=8				4.00
41	WS0410002KN	SPRING WASHER				4.00
42	WP0430801SC	WASHER 4.3X9X0.8				4.00
43	SM6040802TP	SCREW M4X0.7 L=8				4.00
44	WS0410002KN	SPRING WASHER				4.00
45	WP0430801SC	WASHER 4.3X9X0.8				4.00
46	SM6061202TP	SCREW M6 L=12				4.00
47	WS0610002KN	SPRING WASHER 6.1X12.2X1.5				4.00
48	WP0641601SC	WASHER				4.00
49	SM6051202TP	SCREW M5X0.8 L=12				18.00
50	SM6051202TP	SCREW M5X0.8 L=12				18.00

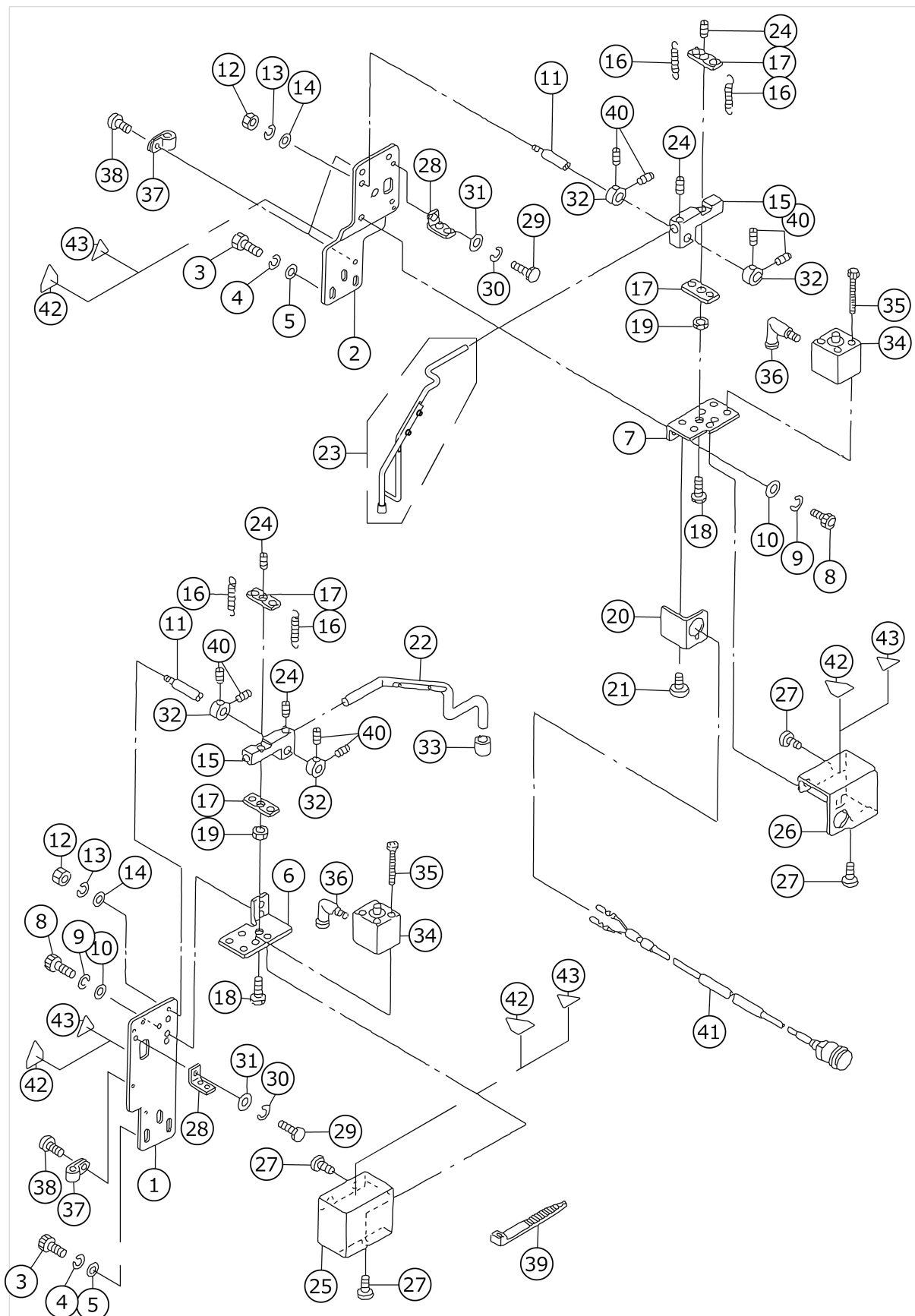
51	WP0621016SH	WASHER				18.00
52	SM6062002TP	SCREW M6 L=20				2.00

FEED MECHANISM DRIVE & SWITCH COMPONENTS



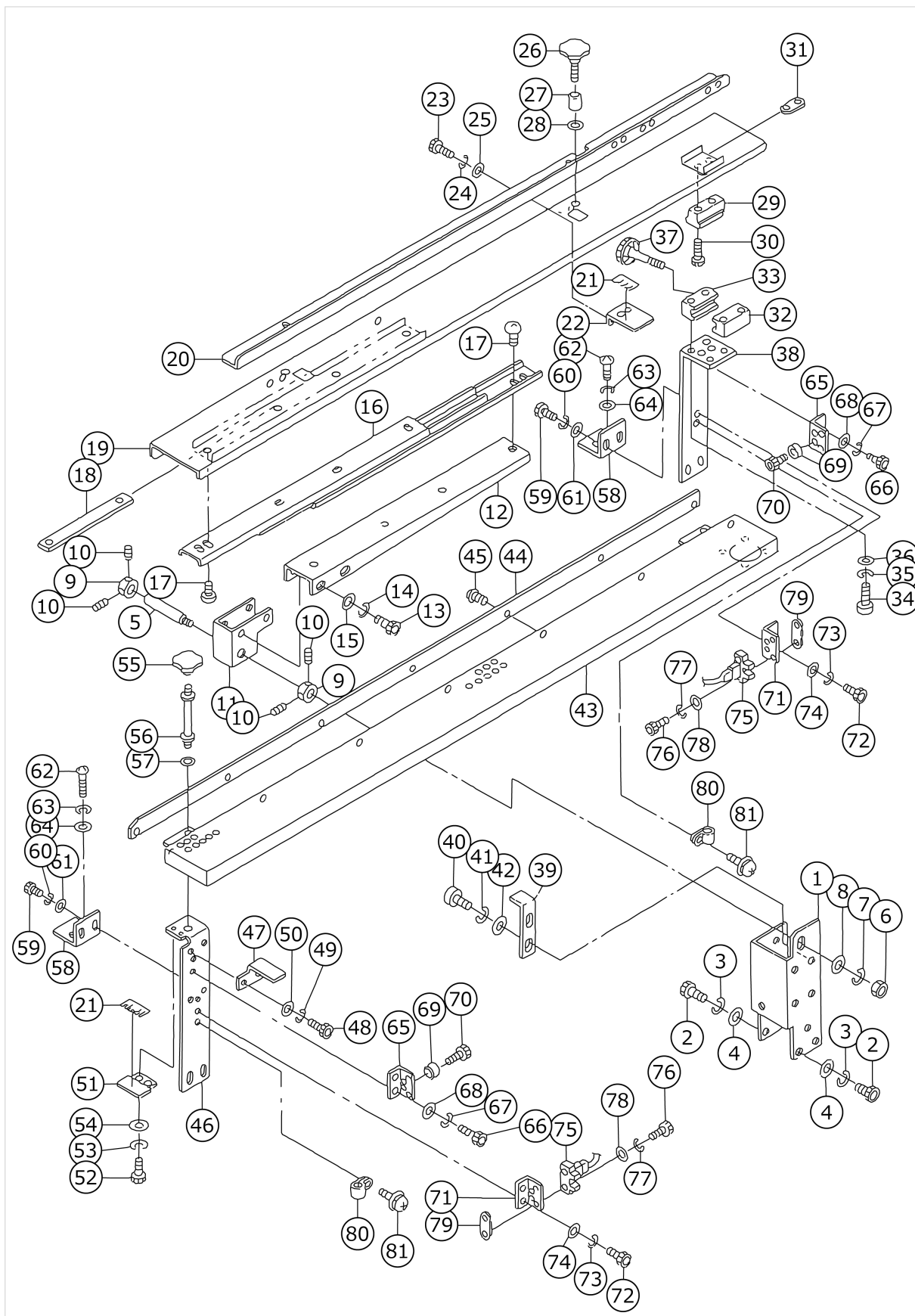
No.	品番	品名	備考	子部品	消耗品	個数
1	G5101164000	RACK				1.00
2	G5102164000	ORIGINAL POINT SENSOR PLATE				2.00
3	SM6040802TP	SCREW M4X0.7 L=8				6.00
4	WS0410002KN	SPRING WASHER				6.00
5	WP0430801SC	WASHER 4.3X9X0.8				6.00
6	SM6062002TP	SCREW M6 L=20				4.00
7	WS0610002KN	SPRING WASHER 6.1X12.2X1.5				4.00
8	WP0641601SC	WASHER				4.00
9	HM000570000	STEPPING MOTOR				1.00
10	G5012164000	PM INSTALLING PLATE				1.00
11	G5011164000	PM FIXED BASE				2.00
12	G5013164000	SENSOR INSTALLING PLATE				1.00
13	G61021640A0	SPEED TRANSMISSION SENSOR SW				1.00
14	SM6031502TP	SCREW M3 X 15				6.00
15	WS0310002KN	SPRING WASHER M3				6.00
16	G5153171000	SENSOR PLATE				3.00
17	SM6040802TP	SCREW M4X0.7 L=8				2.00
18	WS0410002KN	SPRING WASHER				2.00
19	WP0430801SC	WASHER 4.3X9X0.8				2.00
20	SM6061202TP	SCREW M6 L=12				4.00
21	WS0610002KN	SPRING WASHER 6.1X12.2X1.5				4.00
22	WP0641601SC	WASHER				4.00
23	SM6082502TN	BOLT				4.00
24	WS0820002KN	SPRING WASHER M8				4.00
25	WP0841601SC	WASHER 8.4X17.4X1.6				4.00
26	G5014164000	SENSOR INSTALLING PLATE				1.00
27	SM6040802TP	SCREW M4X0.7 L=8				2.00
28	WS0410002KN	SPRING WASHER				2.00
29	WP0430801SC	WASHER 4.3X9X0.8				2.00
30	G61011640A0	HOME POSITION SENSOR SW ASM.				1.00
31	G61031640A0	DISCRIMINATION SW ASM.				1.00
32	G65021640A0	PULCE MOTOR CORD ASM.				1.00
33	G5109171000	FEED BLOCK GEAR				1.00
34	G5110171000	BOSS				1.00
35	SM8060802TP	SCREW M6 L=8				2.00
36	G5111171000	GEAR HOLDER				1.00
37	SM6033052TP	SCREW				4.00
38	WS0310002KN	SPRING WASHER M3				4.00
39	WP0320501SC	WASHER M3				4.00
40	G5019164000	SENSOR INSTALLING PLATE				2.00
41	SK3311301SA	WOOD SCREW D=3.1 L=13				4.00
42	WS0410002KN	SPRING WASHER				4.00
43	WP0430801SC	WASHER 4.3X9X0.8				12.00
44	SM6030802TP	SCREW M3X0.5 L=8				4.00
45	WS0310002KN	SPRING WASHER M3				4.00
46	WP0320501SC	WASHER M3				4.00
47	G61101640A0	CLOTH EDGE SENSOR 1 ASM.				1.00
48	G61111640A0	CLOTH EDGE SENSOR 2 ASM.				1.00
49	SL4041081SF	SCREW M4 L=10				1.00
50	WT0430001KN	TOOTHED WASHER				1.00

CLAMP ARM COMPONENTS



No.	品番	品名	備考	子部品	消耗品	個数
1	G5116164000	CLAMP PLATE, LEFT				1.00
2	G5117164000A	CLAMP PLATE, RIGHT				1.00
3	SM6061202TP	SCREW M6 L=12				6.00
4	WS0610002KN	SPRING WASHER 6.1X12.2X1.5				6.00
5	WP0641601SC	WASHER				6.00
6	G5118164000	CLAMP CYLINDER PLATE, LEFT				1.00
7	G5119164000	CLAMP CYLINDER PLATE, RIGHT				1.00
8	SM6061202TP	SCREW M6 L=12				4.00
9	WS0610002KN	SPRING WASHER 6.1X12.2X1.5				4.00
10	WP0641601SC	WASHER				4.00
11	G5124164000	CLAMP SHAFT				2.00
12	NM6060001SC	NUT M6				2.00
13	WS0610002KN	SPRING WASHER 6.1X12.2X1.5				2.00
14	WP0641601SC	WASHER				2.00
15	G5125164000	CLAMP HOLDER				2.00
16	G5126164000	SPRING				4.00
17	G5127164000	SPRING HOOK				4.00
18	G5128164000	TENSION BOLT				2.00
19	NM6060001SC	NUT M6				2.00
20	G5129164000	SWITCH INSTALLING PLATE				1.00
21	G5144162000	SCREW				2.00
22	G5130164A00	CLAMP, LEFT				1.00
23	G5131164A00	CLAMP FOOT ASM., RIGHT				1.00
24	SM8040402TP	SCREW M4X0.7 L=4				4.00
25	G5132164000	CLAMP COVER, LEFT				1.00
26	G5133164000	CLAMP COVER, RIGHT				1.00
27	G5144162000	SCREW				6.00
28	B4131357000	NEEDLE GUARD ADJUSTING GUIDE				2.00
29	SM9041050SC	SCREW M4X0.7 L=10				2.00
30	WS0410002KN	SPRING WASHER				2.00
31	WP0430801SC	WASHER 4.3X9X0.8				2.00
32	G2526270000	COLLAR				4.00
33	G5138161000	RUBBER CAP				1.00
34	PA160100500	AIR CYLINDER				2.00
35	SM6033052TP	SCREW				8.00
36	PJ304040504	ELBOW UNION				2.00
37	HX00150000A	CABLE CLAMP				4.00
38	SM0040601SA	SCREW				4.00
39	EA9500B0100	CABLE BAND				6.00
40	SM8040402TP	SCREW M4X0.7 L=4				8.00
41	G61121640A0	CLOTH PRESSER CANCELLATION SW				1.00
42	CM3002000B2	LABEL(25).	FOR JAPAN			4.00
43	CM300200003	ATTENTION LABEL	FOR JE			4.00

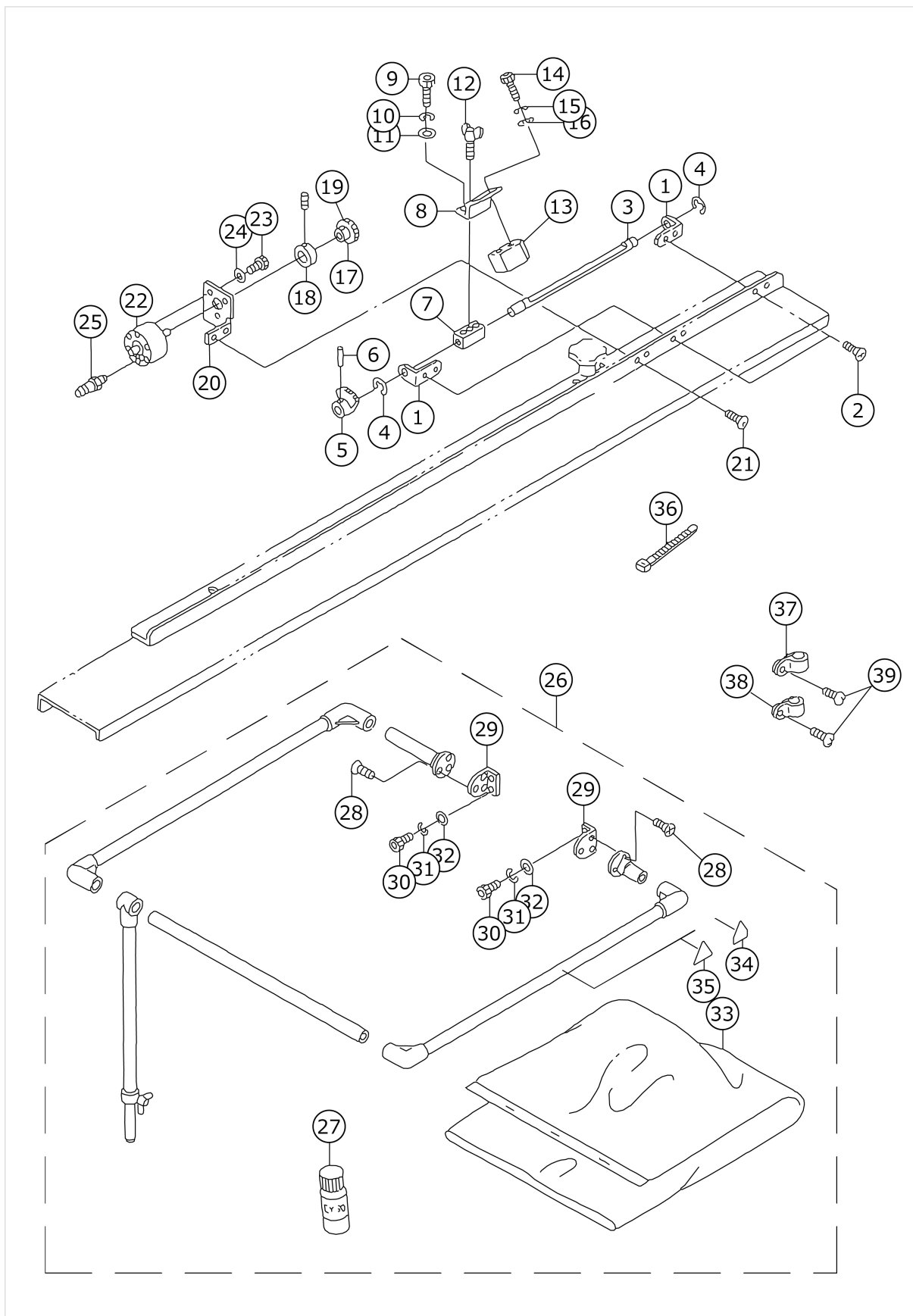
SET PLATE COMPONENTS



No.	品番	品名	備考	子部品	消耗品	個数
1	G5301164000	LEFT INSTALLING BASE				1.00
2	SM6061202TP	SCREW M6 L=12				6.00
3	WS0610002KN	SPRING WASHER 6.1X12.2X1.5				6.00
4	WP0641601SC	WASHER				6.00
5	G5302164000	TURNING SHAFT				1.00
6	NM6080001SC	NUT M8X1.25				1.00
7	WS0820002KN	SPRING WASHER M8				1.00
8	WP0841601SC	WASHER 8.4X17.4X1.6				1.00
9	G2543270000	SHAFT STOP COLLAR A				2.00
10	SM8040402TP	SCREW M4X0.7 L=4				4.00
11	G5303164000	RAIL INSTALLING PLATE BRACKET				1.00
12	G5304164000	RAIL INSTALLING PLATE				1.00
13	SM6061202TP	SCREW M6 L=12				4.00
14	WS0610002KN	SPRING WASHER 6.1X12.2X1.5				4.00
15	WP0641601SC	WASHER				4.00
16	G5305164000	SLIDER RAIL				1.00
17	SM0040601SA	SCREW				8.00
18	G5306164000	RAIL FIXED PLATE				2.00
19	G5307164000	SET PLATE, LEFT				1.00
20	G5308164000	GUIDE, LEFT				1.00
21	G5309164000	SCALE				4.00
22	G5310164000	SCALE PLATE, LEFT				2.00
23	SM6040802TP	SCREW M4X0.7 L=8				4.00
24	WS0410002KN	SPRING WASHER				4.00
25	WP0430801SC	WASHER 4.3X9X0.8				4.00
26	G5311164000	KNOB, MALE				2.00
27	G5312164000	COLLAR				2.00
28	WP0641601SC	WASHER				2.00
29	G5315164000	BLOCK				1.00
30	SM6042002TP	SCREW M4X0.7 L=20				2.00
31	G5146171000	CLAMP FIXING PLATE				1.00
32	G5313164000	BLOCK.A				1.00
33	G5314164000	BLOCK B				1.00
34	SM6041202TP	SCREW M4X0.7 L=12				4.00
35	WS0410002KN	SPRING WASHER				4.00
36	WP0430801SC	WASHER 4.3X9X0.8				4.00
37	G5316164000	FIXED SCREW				1.00
38	G5006164000	SET PLATE SUPPORT, LEFT				1.00
39	G5332164000	STOPPER				1.00
40	SM6061202TP	SCREW M6 L=12				2.00
41	WS0610002KN	SPRING WASHER 6.1X12.2X1.5				2.00
42	WP0641601SC	WASHER				2.00
43	G5327164000	SET PLATE, RIGHT				1.00
44	G5328164000	GUIDE, RIGHT				1.00
45	SM0030601SA	SCREW M3X0.5 L=6				7.00
46	G5007164000	SET PLATE SUPPORT, RIGHT				1.00
47	G5030164000	SUPPORT PLATE				1.00
48	SM6061202TP	SCREW M6 L=12				2.00
49	WS0610002KN	SPRING WASHER 6.1X12.2X1.5				2.00
50	WP0641601SC	WASHER				2.00

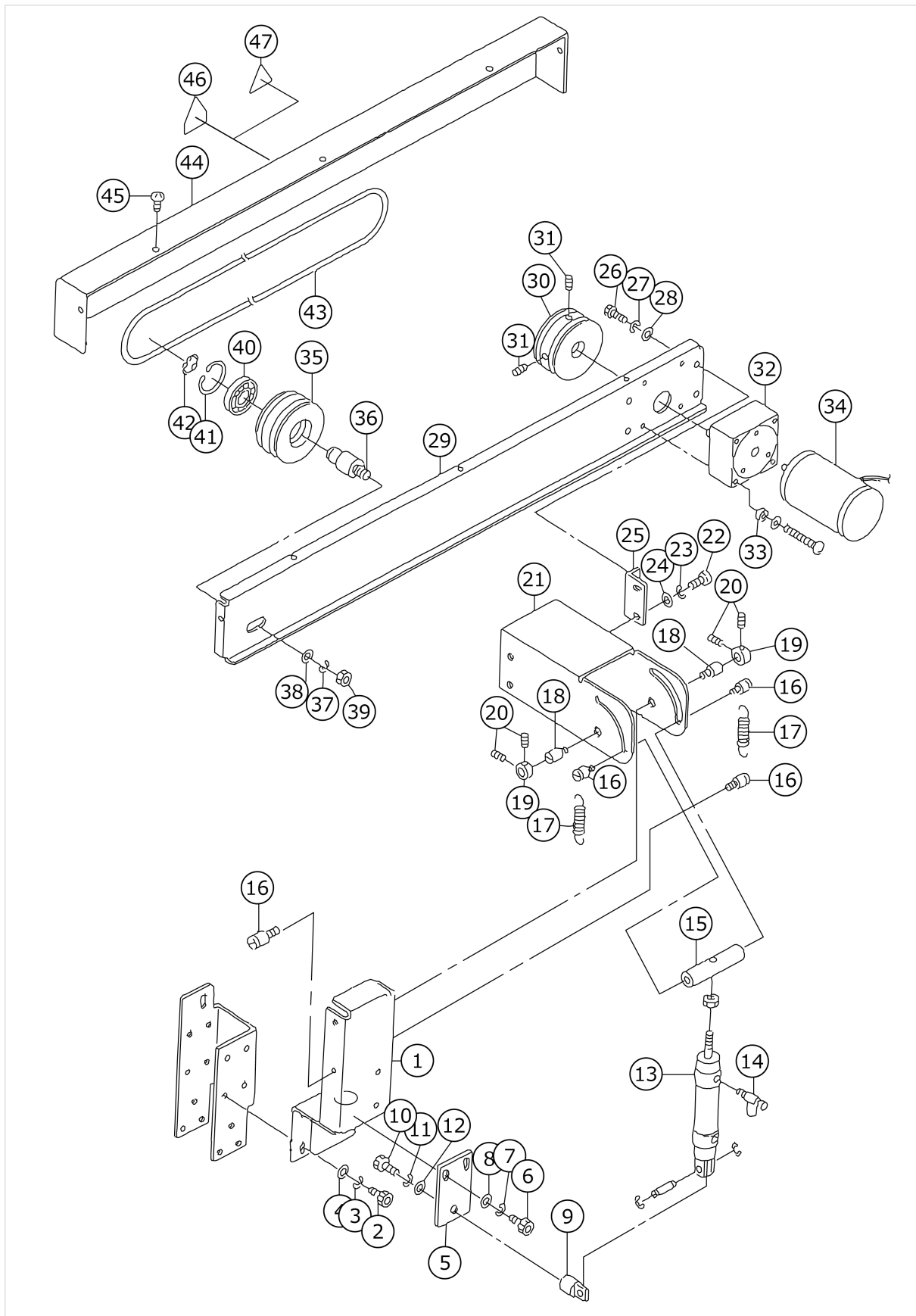
51	G5329164000	SCALE PLATE, RIGHT				2.00
52	SM6040602TP	SCREW M4 L=6				4.00
53	WS0410002KN	SPRING WASHER				4.00
54	WP0430801SC	WASHER 4.3X9X0.8				4.00
55	G5330164000	KNOB, FEMALE				2.00
56	G5331164000	HANDLE EXTENSION				2.00
57	WP0641601SC	WASHER				2.00
58	G5403164000	FIXED PLATE				3.00
59	SM6061002TP	SCREW M6 L=10				6.00
60	WS0610002KN	SPRING WASHER 6.1X12.2X1.5				6.00
61	WP0641601SC	WASHER				6.00
62	SK3381601SC	WOOD SCREW D=3.8 L=16				6.00
63	WS0410002KN	SPRING WASHER				6.00
64	WP0430801SC	WASHER 4.3X9X0.8				6.00
65	G5008164000	STOPPER				2.00
66	SM6040802TP	SCREW M4X0.7 L=8				4.00
67	WS0410002KN	SPRING WASHER				4.00
68	WP0430801SC	WASHER 4.3X9X0.8				4.00
69	G5384171000	RUBBER FOOT				2.00
70	SM6031002TP	HEXAGONAL BOLT M3 X 10				2.00
71	G5008164000	STOPPER				2.00
72	SM6040802TP	SCREW M4X0.7 L=8				4.00
73	WS0410002KN	SPRING WASHER				4.00
74	WP0430801SC	WASHER 4.3X9X0.8				4.00
75	G61051640A0	PRESSER POSITION SW ASM.				2.00
76	SM6031502TP	SCREW M3 X 15				4.00
77	WS0310002KN	SPRING WASHER M3				4.00
78	WP0320501SC	WASHER M3				4.00
79	G5153171000	SENSOR PLATE				2.00
80	HX001500000	CLIP				2.00
81	SL4041081SF	SCREW M4 L=10				2.00

GAUGE & STACKER GUARD COMPONENTS



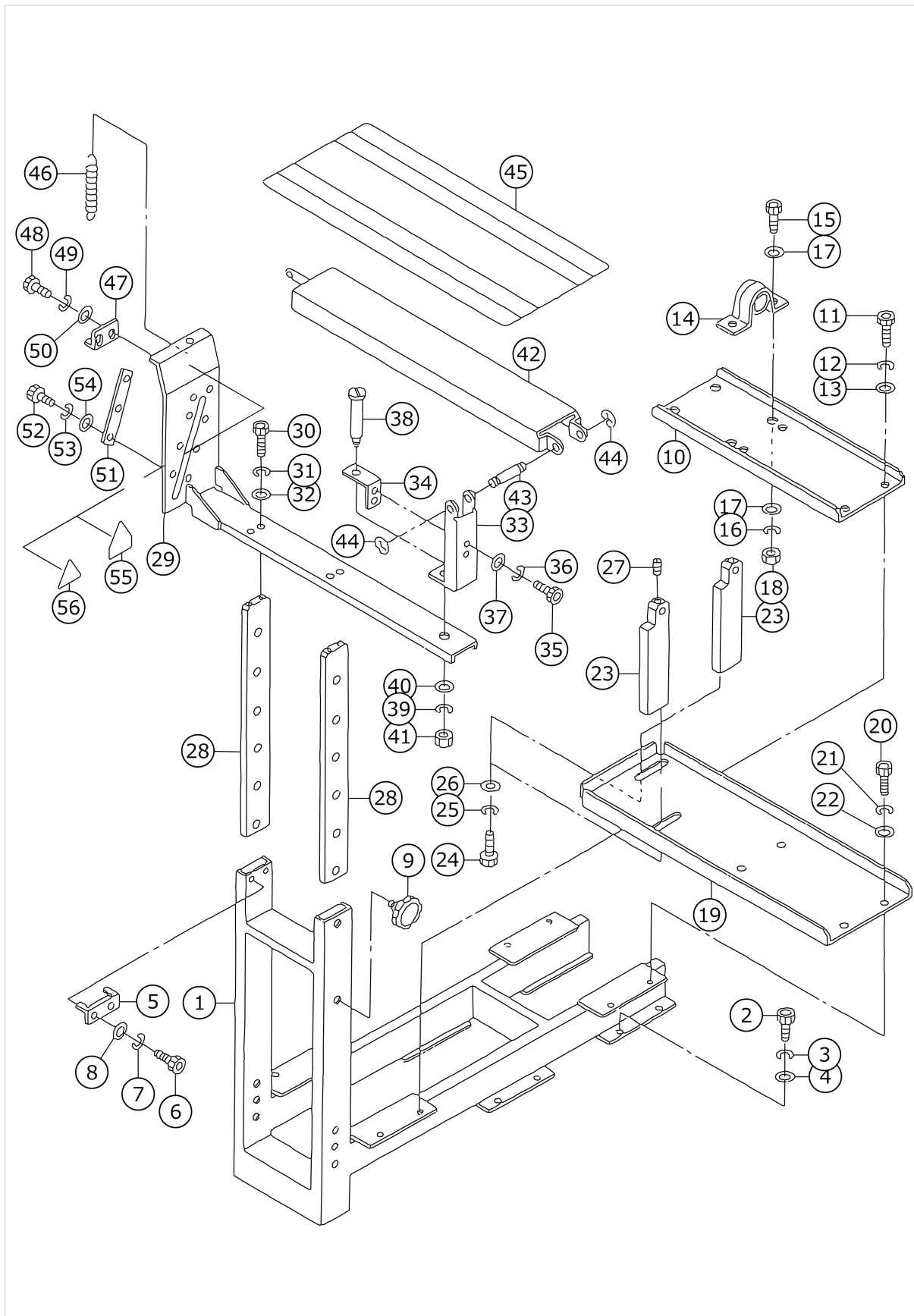
No.	品番	品名	備考	子部品	消耗品	個数
1	G5317164000	BRACKET				2.00
2	SM1030601SC	SCREW M3 L=6				4.00
3	G5318164000	GAUGE SHAFT				1.00
4	RE0400000K0	E-RING 4				2.00
5	G5321164000	GAUGE DRIVEN GEAR				1.00
6	PS0160122KH	SPRING PIN 1.6X12				1.00
7	G5323164000	GAUGE BLOCK				1.00
8	G5324164000	GAUGE INSTALLING PLATE				1.00
9	SM6040602TP	SCREW M4 L=6				2.00
10	WS0410002KN	SPRING WASHER				2.00
11	WP0430801SC	WASHER 4.3X9X0.8				2.00
12	G5326164000	SCREW				1.00
13	G5325164000	GAUGE (FOR MAN)				1.00
14	SM6031202TP	SCREW M3X0.5 L=12				2.00
15	WS0310002KN	SPRING WASHER M3				2.00
16	WP0320501SC	WASHER M3				2.00
17	G5319164000	GEAR				1.00
18	G5320164000	RETAINING RING				1.00
19	SM8030502TP	SCREW M3 L=5				1.00
20	G5322164000	INSTALLING PLATE				1.00
21	SM1030601SC	SCREW M3 L=6				2.00
22	PA800012000	AIR CYLINDER				1.00
23	SM6030602TP	SCREW M3X0.5 L=6				3.00
24	WP0320501SC	WASHER M3				3.00
25	PJ210304010	HALF UNION				2.00
26	G52401640A0	STACKER GUARD ASM.				1.00
27	G5242164000	PIPE ADHESIVE CEMENT		*		1.00
28	SM1030801SC	SCREW M3 L=8		*		6.00
29	G5243164000	PIPE SUPPORT		*		2.00
30	SM6050802TP	SCREW M5X0.8 L=8		*		4.00
31	WS0510002KN	SPRING WASHER		*		4.00
32	WP0531001SC	WASHER		*		4.00
33	GSS29212000	VINYL BAG		*		1.00
34	CM3002000B1	LABEL(16)	FOR JAPAN	*		1.00
35	CM300200003	ATTENTION LABEL	FOR JE	*		1.00
36	EA9500B0100	CABLE BAND				3.00
37	HX00150000F	CABLE CLIP				1.00
38	HX00150000A	CABLE CLAMP				1.00
39	SL4041081SF	SCREW M4 L=10				2.00

CONVEYOR COMPONENTS



No.	品番	品名	備考	子部品	消耗品	個数
1	G5222164000	MOTOR BRACKET SUPPORT				1.00
2	SM6061202TP	SCREW M6 L=12				4.00
3	WS0610002KN	SPRING WASHER 6.1X12.2X1.5				4.00
4	WP0641601SC	WASHER				4.00
5	G5223164000	INSTALLING PLATE				1.00
6	SM6061202TP	SCREW M6 L=12				2.00
7	WS0610002KN	SPRING WASHER 6.1X12.2X1.5				2.00
8	WP0641601SC	WASHER				2.00
9	PX500017000	KNUCKLE JOINT				1.00
10	SM6082002TN	SCREW M8 L=20				1.00
11	WS0820002KN	SPRING WASHER M8				1.00
12	WP0841601SC	WASHER 8.4X17.4X1.6				1.00
13	PA2002513A0	AIR CYLINDER				1.00
14	PC015108000	SPEED CONTROLLER				1.00
15	G5221164000	KNOB				1.00
16	B3410771000	SUSPENSION SCREW(A)				4.00
17	B2710771000	SPRING				2.00
18	G5225164000	STUD				2.00
19	G2526270000	COLLAR				2.00
20	SM8040402TP	SCREW M4X0.7 L=4				4.00
21	G5226164000	MOTOR BRACKET				1.00
22	SM6061202TP	SCREW M6 L=12				4.00
23	WS0610002KN	SPRING WASHER 6.1X12.2X1.5				4.00
24	WP0641601SC	WASHER				4.00
25	G5227164000	INSTALLING PLATE				2.00
26	SM6061202TP	SCREW M6 L=12				4.00
27	WS0610002KN	SPRING WASHER 6.1X12.2X1.5				4.00
28	WP0641601SC	WASHER				4.00
29	G5228164000	CONVEYER FRAME				1.00
30	G5229164000	DRIVE PULLEY				1.00
31	SM8040602TP	SCREW M4X0.7 L=6				2.00
32	HM000770010	GEAR HEAD				1.00
33	B1513210000	CLOTH PRESSER MAGNET SPACER				4.00
34	G62011640A0	CONVEYER MOTOR ASM.				1.00
35	G5230164000	IDLER PULLEY				1.00
36	G5231164000	IDLER PULLEY SHAFT				1.00
37	WS1020002KN	SPRING WASHER M10				1.00
38	WP1052001SC	WASHER 10,5X21X2				1.00
39	NM6100001SC	NUT M10X1.5				1.00
40	SB115000200	BEARING				1.00
41	RC3500002KP	RETAINING RING 35				1.00
42	RC0150001KP	RETAINING RING 13.8				1.00
43	G5232164000	CONVEYER BELT				2.00
44	G5233164000	CONVEYER COVER				1.00
45	SM0040601SA	SCREW				5.00
46	CM3002000B2	LABEL(25).	FOR JAPAN			1.00
47	CM300200003	ATTENTION LABEL	FOR JE			1.00

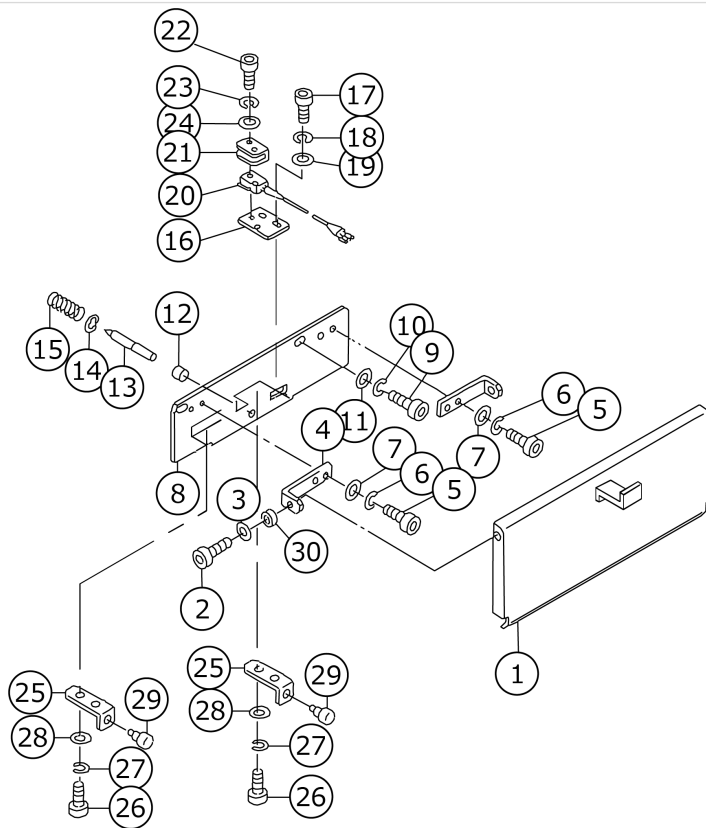
STACKER COMPONENTS



No.	品番	品名	備考	子部品	消耗品	個数
1	G5201164000	STACKER BASE				1.00
2	SM6061202TP	SCREW M6 L=12				4.00
3	WS0610002KN	SPRING WASHER 6.1X12.2X1.5				4.00
4	WP0641601SC	WASHER				4.00
5	G5210164000	SUPPORT PLATE				2.00
6	SM6030602TP	SCREW M3X0.5 L=6				4.00
7	WS0310002KN	SPRING WASHER M3				4.00
8	WP0320501SC	WASHER M3				4.00
9	G5220164000	KNOB				2.00
10	G5202164000	PILLOW INSTALLING PLATE				1.00
11	SM6061202TP	SCREW M6 L=12				4.00
12	WS0610002KN	SPRING WASHER 6.1X12.2X1.5				4.00
13	WP0641601SC	WASHER				4.00
14	G5219164000	PILLOW UNIT /n				2.00
15	SM6082002TN	SCREW M8 L=20				4.00
16	WS0820002KN	SPRING WASHER M8				4.00
17	WP0841601SC	WASHER 8.4X17.4X1.6				8.00
18	NM6080001SC	NUT M8X1.25				4.00
19	G5203164000	CYLINDER HOLDER BASE				1.00
20	SM6061202TP	SCREW M6 L=12				4.00
21	WS0610002KN	SPRING WASHER 6.1X12.2X1.5				4.00
22	WP0641601SC	WASHER				4.00
23	G5217164000	CYLINDER MOUNT PLATE				2.00
24	SM6061602TP	SCREW M6 L=16				4.00
25	WS0610002KN	SPRING WASHER 6.1X12.2X1.5				4.00
26	WP0641601SC	WASHER				4.00
27	SM8040402TP	SCREW M4X0.7 L=4				2.00
28	G5209164000	ADJUSTING PLATE				2.00
29	G5211164000	SUPPORT				1.00
30	SM6041202TP	SCREW M4X0.7 L=12				4.00
31	WS0410002KN	SPRING WASHER				4.00
32	WP0430801SC	WASHER 4.3X9X0.8				4.00
33	G5212164000	FULCRUM PLATE				1.00
34	G5234164000	PIN SUPPORT				1.00
35	SM6040802TP	SCREW M4X0.7 L=8				2.00
36	WS0410002KN	SPRING WASHER				2.00
37	WP0430801SC	WASHER 4.3X9X0.8				2.00
38	B8170220000	BED FIXED SCREW				1.00
39	WS0820002KN	SPRING WASHER M8				1.00
40	WP0841601SC	WASHER 8.4X17.4X1.6				1.00
41	NM6080001SC	NUT M8X1.25				1.00
42	G5213164000	CLOTH STACKER				1.00
43	13518105	LIFTING LEVER SHAFT				1.00
44	RE0700000K0	E-RING 7				2.00
45	G5022164000	CUSHION				1.00
46	G5214164000	SPRING				1.00
47	G5215164000	FIXED PLATE				1.00
48	SM6030602TP	SCREW M3X0.5 L=6				2.00
49	WS0310002KN	SPRING WASHER M3				2.00
50	WP0320501SC	WASHER M3				2.00

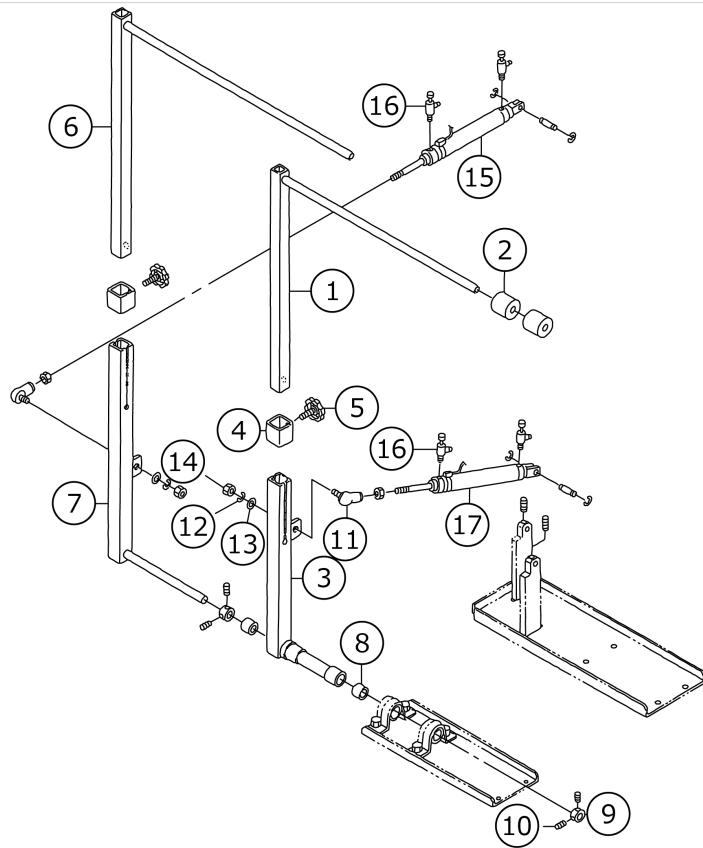
51	G5235164000	SLIDER				2.00
52	SM6030802TP	SCREW M3X0.5 L=8				6.00
53	WS0310002KN	SPRING WASHER M3				6.00
54	WP0320501SC	WASHER M3				6.00
55	CM3002000B1	LABEL(16)	FOR JAPAN			1.00
56	CM300200003	ATTENTION LABEL	FOR JE			1.00

COVER & KNEE SWITCH COMPONENTS



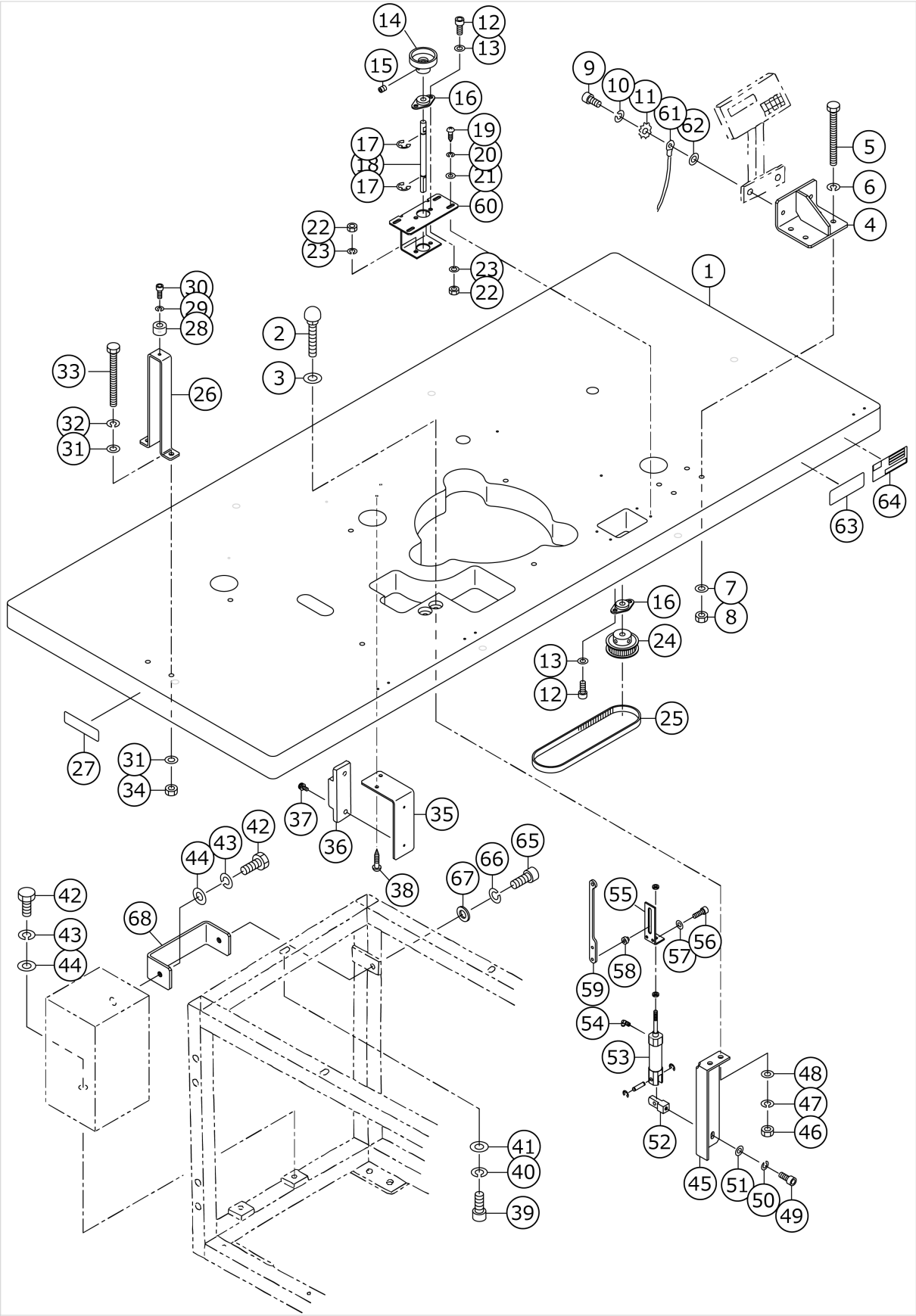
No.	品番	品名	備考	子部品	消耗品	個数
1	G5025164000	START SWITCH PLATE				1.00
2	SM6061202TP	SCREW M6 L=12				2.00
3	WP0641601SC	WASHER				2.00
4	G5027164000	START SWITCH SHAFT PLATE				2.00
5	SM6040802TP	SCREW M4X0.7 L=8				4.00
6	WS0410002KN	SPRING WASHER				4.00
7	WP0430801SC	WASHER 4.3X9X0.8				4.00
8	G5024164000	INSTALLING PLATE				1.00
9	SM6061202TP	SCREW M6 L=12				2.00
10	WS0610002KN	SPRING WASHER 6.1X12.2X1.5				2.00
11	WP0641601SC	WASHER				2.00
12	G5138161000	RUBBER CAP				1.00
13	G5026164000	START SWITCH ROD				1.00
14	RE0400000K0	E-RING 4				1.00
15	G5019171000	SPRING				1.00
16	G5020171000	SWITCH HOLDER				1.00
17	SM6040802TP	SCREW M4X0.7 L=8				2.00
18	WS0410002KN	SPRING WASHER				2.00
19	WP0430801SC	WASHER 4.3X9X0.8				2.00
20	G61041640A0	START SW ASM.				1.00
21	MAO11602N00	MICRO-SWITCH COVER				1.00
22	SM6031602TP	SCREW				2.00
23	WS0310002KN	SPRING WASHER M3				2.00
24	WP0320501SC	WASHER M3				2.00
25	G5009162000	STOPPER PLATE				2.00
26	SM6040802TP	SCREW M4X0.7 L=8				4.00
27	WS0410002KN	SPRING WASHER				4.00
28	WP0430801SC	WASHER 4.3X9X0.8				4.00
29	G5021171000	RUBBER CUSHION				2.00
30	B2544280000	WASHER, FOR WORK CLAMP FOOT HO				2.00

STACKER CYLINDER COMPONENTS



No.	品番	品名	備考	子部品	消耗品	個数
1	G5204164000	CLOTH PRESSER				1.00
2	G5216164000	STACKER RING				5.00
3	G5205164000	CLOTH PRESSER				1.00
4	G5208164000	BAR LOCKER				2.00
5	G5221164000	KNOB				2.00
6	G5206164000	CLOTH PAYMENT				1.00
7	G5207164000	CLOTH PAYMENT				1.00
8	G5218164000	BEARING				2.00
9	G2543270000	SHAFT STOP COLLAR A				2.00
10	SM8040402TP	SCREW M4X0.7 L=4				4.00
11	G5204171000	LINK BOLL				2.00
12	WS0820002KN	SPRING WASHER M8				2.00
13	WP0841601SC	WASHER 8.4X17.4X1.6				2.00
14	NM6080003SC	NUT M8				2.00
15	G61081640A0	CLOTH SWEEPING CYLINDER ASM.				1.00
16	PC015108000	SPEED CONTROLLER				4.00
17	G61091640A0	CLOTH PRESSER CYLINDER ASM.				1.00

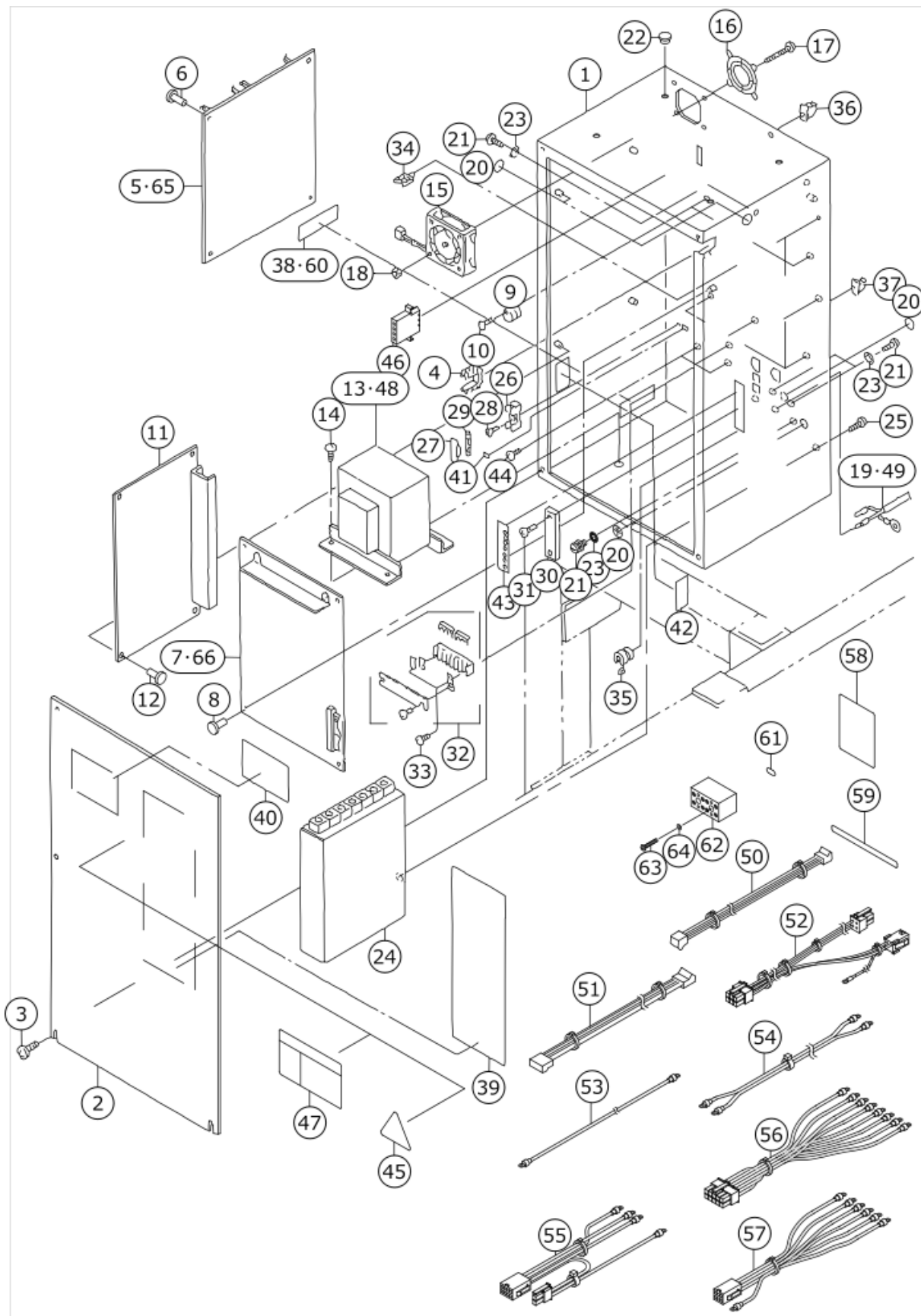
MACHINETABLE COMPONENTS



No.	品番	品名	備考	子部品	消耗品	個数
1	G5402164C00	MACHINE TABLE				1.00
2	MTJMS000060	BOLT				2.00
3	WP0850002SP	WASHER 8.5X18X1.6				2.00
4	G5406164000	OPERATION PANEL BRACKET				1.00
5	SM9066503SC	SCREW M6 L=65				4.00
6	WS0610002KN	SPRING WASHER 6.1X12.2X1.5				4.00
7	WP0641601SC	WASHER				4.00
8	NM6060001SC	NUT M6				4.00
9	SM6061202TN	BOLT				2.00
10	WS0610002KN	SPRING WASHER 6.1X12.2X1.5				2.00
11	WT0640001KN	TOOTH WASHER				2.00
12	SM6051202TP	SCREW M5X0.8 L=12				4.00
13	WP0531001SC	WASHER				4.00
14	16561904	MOTOR KNOB				1.00
15	SM8050602TP	SCREW M5 L=6				1.00
16	G5420164000	FLANGE				2.00
17	RE0600000K0	E-RING 6				2.00
18	G5419164000	SHAFT				1.00
19	SK3381301SC	WOOD SCREW				4.00
20	WS0410002KN	SPRING WASHER				4.00
21	WP0430801SC	WASHER 4.3X9X0.8				4.00
22	NM6050001SC	NUT M5				4.00
23	WS0510002KN	SPRING WASHER				4.00
24	G5418164000	SULLEY				2.00
25	G5421164000	ROTATION BELT				1.00
26	G5424164C00	HEAD SUPPORT BASE				1.00
27	G5042164C00	NAME PLATE				1.00
28	G5009172000	STOPPER RUBBER				1.00
29	WS0410002KN	SPRING WASHER				1.00
30	SM6041002TN	BOLT				1.00
31	WP0641601SC	WASHER				4.00
32	WS0610002KN	SPRING WASHER 6.1X12.2X1.5				2.00
33	SM9066503SC	SCREW M6 L=65				2.00
34	NM6060001SC	NUT M6				2.00
35	G5432164B00	TERMINAL BRACKET				1.00
36	HK044350120	TERMINAL				1.00
37	SL4030881SC	SCREW M3X8				2.00
38	SK3412001SC	WOOD SCREW D=4.1 L=20				2.00
39	SM6082002TN	SCREW M8 L=20				6.00
40	WS0820002KN	SPRING WASHER M8				6.00
41	WP0841601SC	WASHER 8.4X17.4X1.6				6.00
42	SM9082003SC	SCREW M8 L=20				3.00
43	WS0820002KN	SPRING WASHER M8				3.00
44	WP0841601SC	WASHER 8.4X17.4X1.6				3.00
45	G5410164000	CYLINDER BRACKET				1.00
46	NM6060001SC	NUT M6				2.00
47	WS0610002KN	SPRING WASHER 6.1X12.2X1.5				2.00
48	WP0641601SC	WASHER				2.00
49	SM6051202TP	SCREW M5X0.8 L=12				1.00
50	WS0510002KN	SPRING WASHER				1.00

51	WP0531001SC	WASHER			1.00
52	PX500018000	KNUCKLE JOINT			1.00
53	PA1601510A0	AIR CYLINDER			1.00
54	PJ304040504	ELBOW UNION			1.00
55	G5412164000	WORKING PLATE			1.00
56	SM6041202TP	SCREW M4X0.7 L=12			2.00
57	WP0430801SC	WASHER 4.3X9X0.8			2.00
58	G5416164000	SLIDE HOLDER			2.00
59	G5411164000	LINK			1.00
60	G5417164000	BRACKET			1.00
61	G67041640A0	EARTH CORD ASM.			2.00
62	WP0641601SC	WASHER			2.00
63	CM500100001	CE MARKING LABEL	FOR JE		1.00
64	CM500000001	POWER SOURCE INDICATION LABEL	FOR JE		1.00
65	SM6082002TN	SCREW M8 L=20			1.00
66	WS0820002KN	SPRING WASHER M8			1.00
67	WP0841601SC	WASHER 8.4X17.4X1.6			1.00
68	G5423164C00	CONTROL BOX FIXING PLATE			1.00

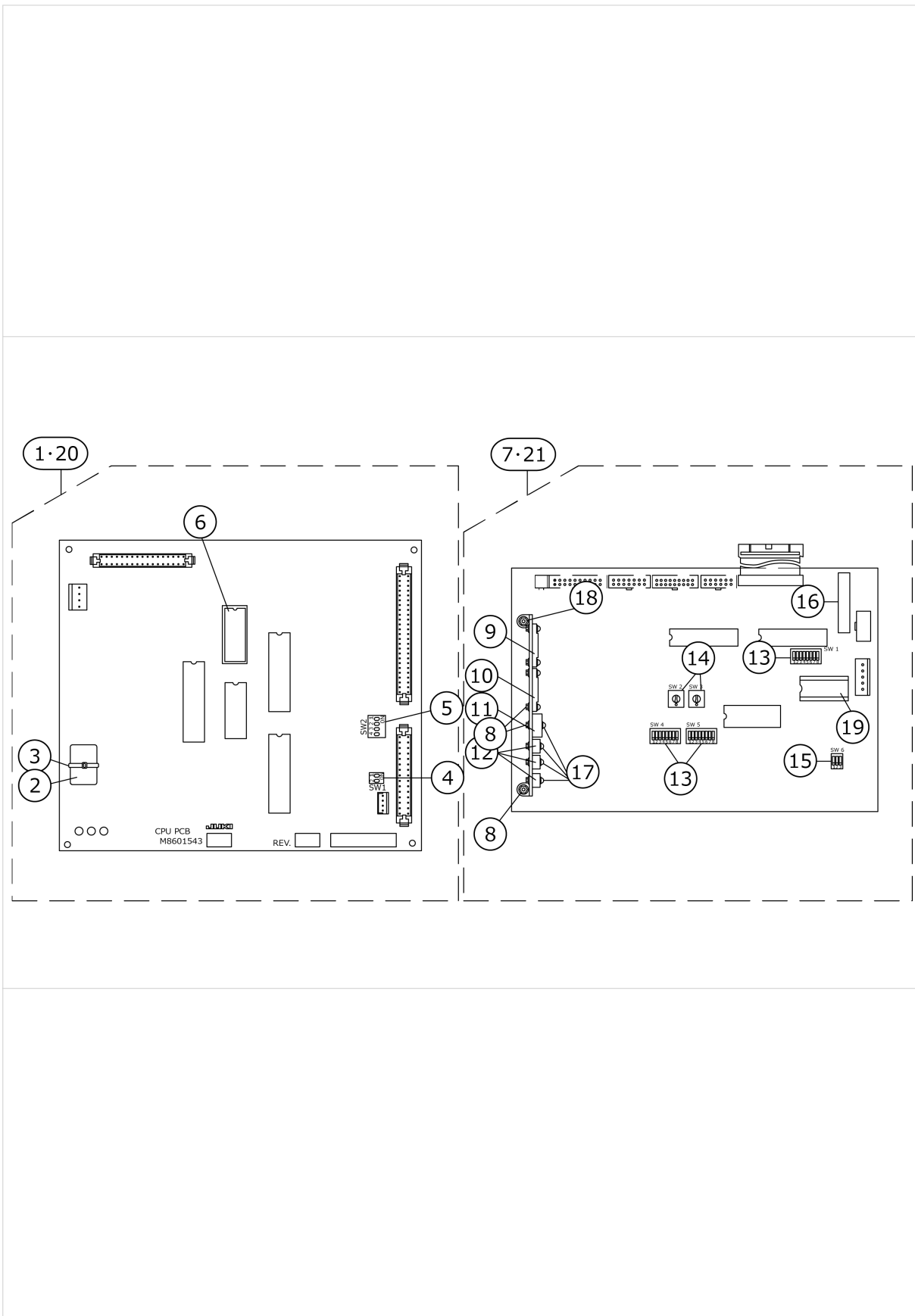
CONTROL BOX COMPONENTS



No.	品番	品名	備考	子部品	消耗品	個数
1	M1001544000A	CONTROL BOX FRAME				1.00
2	M10025440A0	FRAME CONTROLL BOX COVER ASM.				1.00
3	SM0040601SA	SCREW				6.00
4	M1004540000	FREE BUSHING, A				1.00
5	M8601543FA0	CPU CIRCUIT BOARD ASM. F				1.00
6	HX00269000B	SPACER				4.00
7	M8602544EA0	I/O CIRCUIT BOARD ASM. E				1.00
8	HX00269000B	SPACER				4.00
9	M1004544000A	CIRCUIT BOARD SUPPORT				2.00
10	SL4031891SC	SCREW M3 L=18				2.00
11	M8603544AA0	POWER CIRCUIT BOARD ASM.				1.00
12	HX00269000B	SPACER				4.00
13	M85105440A0	TRANSFORMER ASM.	FOR JAPAN			1.00
14	SL4051091SC	SCREW M5X0.8 L=10				4.00
15	M85115440A0	DC FAN ASM.				1.00
16	HM0003800A0	FINGER GUARD				1.00
17	SM4043601SN	SCREW M4X0.7 L=36				4.00
18	NM3040520SF	FLANGE NUT M4				4.00
19	M85215400A0	POWER SOURCE CORD ASM.	FOR JAPAN			1.00
20	10004109	GROUND MARK				3.00
21	SL4041081SF	SCREW M4 L=10				10.00
22	TA0800504R0	PLUG D=8 L=4.5				4.00
23	WT0430001KN	TOOTHED WASHER				10.00
24	HM000570010	DRIVER				1.00
25	SL4041081SF	SCREW M4 L=10				2.00
26	HF005111000	FUSE HOLDER				1.00
27	HF00511000B	FUSE HOLDER COVER				1.00
28	SM4041001SC	SCREW M4X0.7 L=10				1.00
29	E9602701000	FUSE 4A				1.00
30	HK017150070	TERMINAL BASE 7P	FOR JAPAN			1.00
31	SL4031681SF	SCREW M3 L=16	FOR JAPAN			2.00
32	HK044450060	TERMINAL BASE				1.00
33	SL4031481SF	SCREW M3 L=14				2.00
34	HX00222000A	CABLE CLAMP				5.00
35	HX004100000	BUSH				1.00
36	HX000240000	CORD HOLDER				1.00
37	HX00024000C	CORD CLAMP				1.00
38	M1010544000	CONTROL BOX PLATE	FOR JAPAN			1.00
39	M1020544000	SEAL, A				1.00
40	M1022543000	SEAL, B				1.00
41	M1022544000	F6 SEAL				1.00
42	M1021544000	SEAL				1.00
43	M1021540000	SEAL	FOR JAPAN			1.00
44	SL4040691SC	SCREW M4 L=6				2.00
45	CM300100001	LABEL	FOR JE			1.00
46	M9620110000	RECEPTACLE				1.00
47	CM300100101	DANGER LABEL (SMALL)	FOR JAPAN			1.00
48	M8510544BA0	TRANSFORMER B ASM.	FOR JE			1.00
49	M85295440A0	POWER SOURCE CORD B ASM.	FOR JE			1.00
50	M85205440A0	POWER SOURCE CORD ASM.				1.00

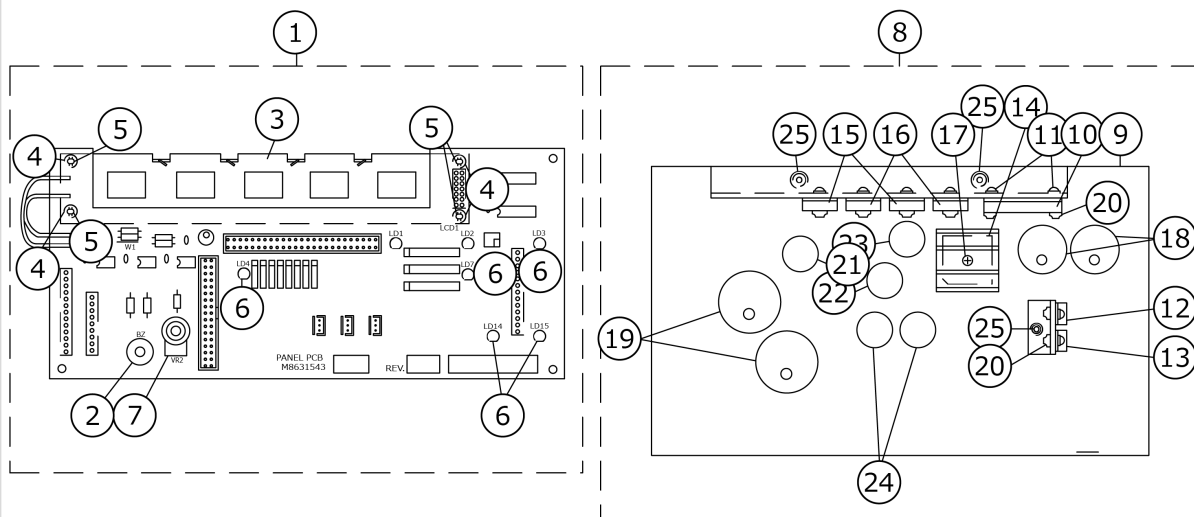
51	M85215440A0	POWER SOURCE CORD ASM. (1)				1.00
52	M85225440A0	POWER SOURCE CORD (2)				1.00
53	M85245440A0	RELAY CORD ASM.				1.00
54	M85255440A0	DRIVER POWER SOURCE CORD				1.00
55	M85265440A0	POWER SOURCE CORD ASM.				1.00
56	M85245400A0	DRIVER CONNCTING CORD ASM.				1.00
57	M85255400A0	CONNECTING CORD ASM.				1.00
58	G8015397000	LABEL C	FOR JE			1.00
59	M3007519000	LABEL	FOR JE			1.00
60	M1010544B00	CONTROL BOX NAME PLATE	FOR JE			1.00
61	CM200100001	PE MARK LABEL				1.00
62	HK054250040	TERMINAL BASE	FOR JE			2.00
63	SM4031851SR	SCREW	FOR JE			4.00
64	WS0310702KS	SPRING WASHER	FOR JE			4.00
65	M8601543EA0	CPU CIRCUIT BOARD ASM. E	FOR JE			1.00
66	M8602544DA0	I/O CIRCUIT BOARD ASM. D	FOR JE			1.00

CPU CIRCUIT BOARD & I/O CIRCUIT BOARD COMPONENTS



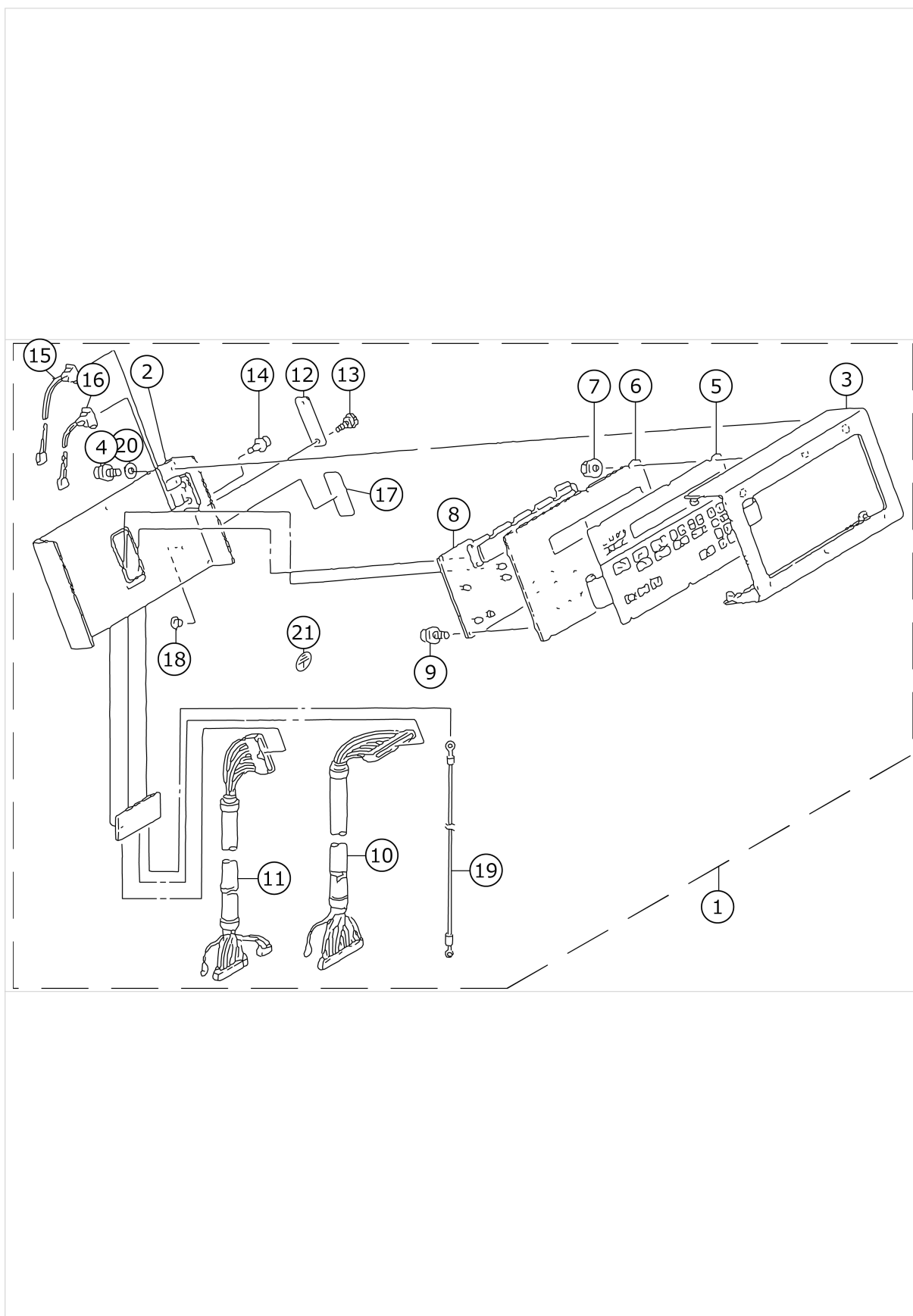
No.	品番	品名	備考	子部品	消耗品	個数
1	M8601543FA0	CPU CIRCUIT BOARD ASM. F				1.00
2	HX001160000	BATTERY 3.6V		*		1.00
3	EA9500B0100	CABLE BAND		*		1.00
4	HA001080020	DIP SWITCH		*		1.00
5	HA001080040	DIP SWITCH 4		*		1.00
6	HL008420043	IC		*		1.00
7	M8602544EA0	I/O CIRCUIT BOARD ASM. E				1.00
8	NM3034000SF	FLANGE NUT		*		10.00
9	HT003920000	TRANSISTOR		*		1.00
10	HT003640000	TRANSISTOR ARRAY		*		1.00
11	HT002570000	TRANSISTOR		*		1.00
12	HT003570000	TRANSISTOR		*		3.00
13	HA001080080	DIP SWITCH 8P		*		3.00
14	HA002330000	ROTARY SWITCH		*		2.00
15	HA001080030	DIP SWITCH		*		1.00
16	HA000500000	ROTARY SWITCH		*		1.00
17	SL4031291SC	SCREW M3X12		*		4.00
18	SL4031081SF	SCREW M3 L=10		*		6.00
19	HL008420044	IC		*		1.00
20	M8601543EA0	CPU CIRCUIT BOARD ASM. E	FOR JE			1.00
21	M8602544DA0	I/O CIRCUIT BOARD ASM. D	FOR JE			1.00

PANEL CIRCUIT BOARD & POWER CIRCUIT BOARD COMPONENTS



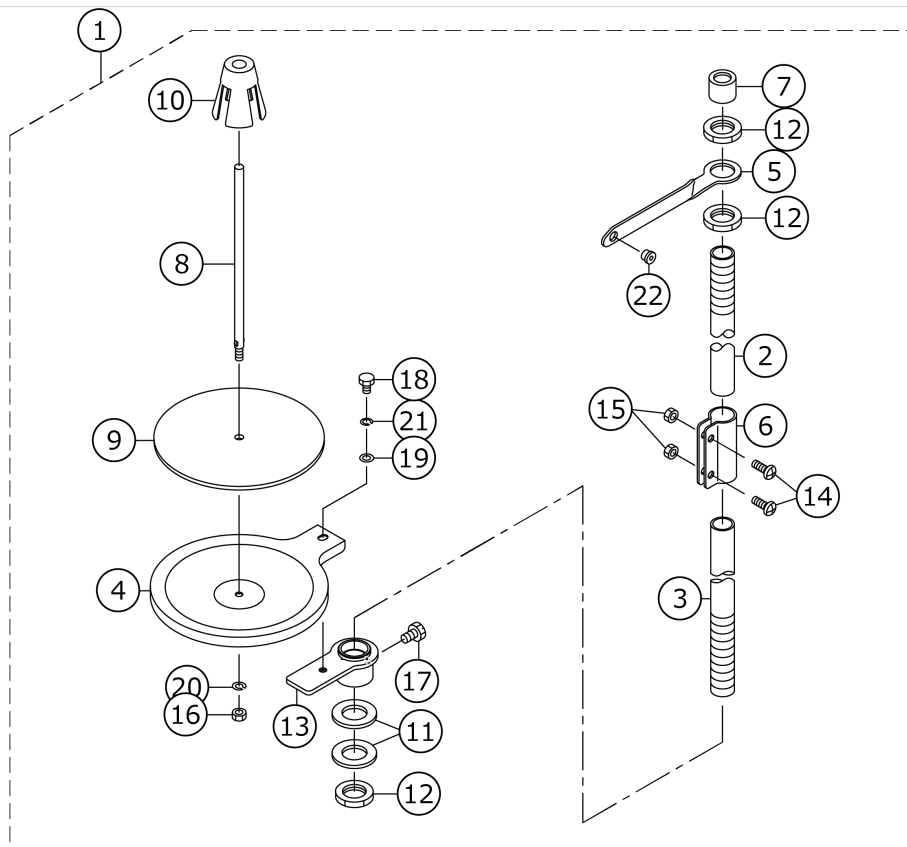
No.	品番	品名	備考	子部品	消耗品	個数
1	M8631543AA0	PANEL CIRCUIT BOARD ASM.				1.00
2	HX002400000	BUZZER		*		1.00
3	HG004350000	LIQUID CRYSTAL INDICATOR		*		1.00
4	G6312166000	LCD SPACER		*		4.00
5	HX00094000C	NYLON RIVET		*		4.00
6	HG004750000	LIGHT EMITTING DIODE		*		7.00
7	HR030301030	VOLUME (10K)		*		1.00
8	M8603544AA0	POWER CIRCUIT BOARD ASM.				1.00
9	M8603544000	POWER BOARD		*		1.00
10	HL006940000	IC (STR-9005)		*		1.00
11	SL4031481SF	SCREW M3 L=14		*		6.00
12	HL011820000	REGULATOR		*		1.00
13	HL011800000	REGULATOR		*		1.00
14	HG002650000	DIODE BRIDGE (S10VB20)		*		1.00
15	HG003780000	DIODE (FMM-32R)		*		2.00
16	HG003770000	DIODE (FMM-32S)		*		2.00
17	SL4031281SF	SCREW M3 L=12		*		1.00
18	HC027501030	CAPACITOR 10000MF 16V		*		2.00
19	HC011504720	CAPACITOR 4700MF 63V		*		2.00
20	NM3034000SF	FLANGE NUT		*		8.00
21	EA9544B0200	FUSE		*		1.00
22	E9602701000	FUSE 4A		*		1.00
23	E8523304000	FUSE 10A		*		1.00
24	E9611601000	FUSE 1A		*		2.00
25	SL4031081SF	SCREW M3 L=10		*		5.00

PANEL BOX COMPONENTS



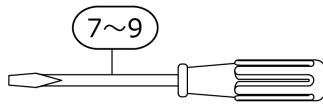
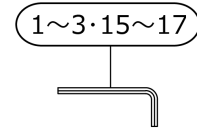
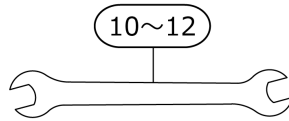
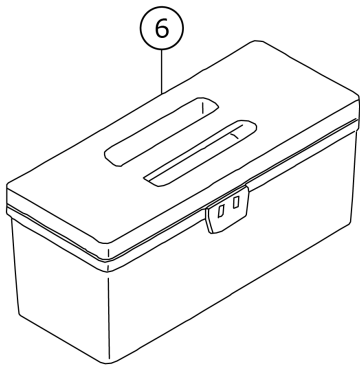
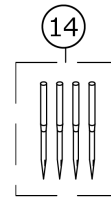
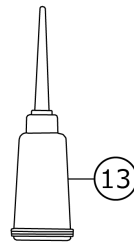
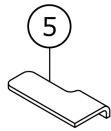
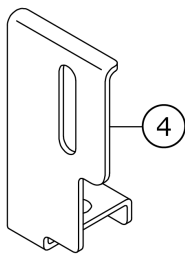
No.	品番	品名	備考	子部品	消耗品	個数
1	M85305440A0	PANEL BOX ASM.				1.00
2	M1030544000	FRAME PANEL BOX		*		1.00
3	M1031544000	FRAME PANEL BOX COVER		*		1.00
4	SL4030881SF	SCREW M3 L=8		*		5.00
5	M8630544000	PANEL MEMBRANE SWITCH		*		1.00
6	M1032540000	REINFORCEMENT PLATE		*		1.00
7	NM3034000SF	FLANGE NUT		*		6.00
8	M8631543AA0	PANEL CIRCUIT BOARD ASM.		*		1.00
9	SL4030881SF	SCREW M3 L=8		*		5.00
10	M85405440A0	CONNECTING CABLE ASM. 50P		*		1.00
11	M85415440A0	CONNECTING CABLE ASM. 34P		*		1.00
12	M1033543000	COVER		*		1.00
13	G6010003000	KNOB SCREW		*		2.00
14	SL4020881SC	SCREW M2 X 8		*		4.00
15	M85425430A0	FUNCTION SELECT SW ASM. 1		*		1.00
16	M85435430A0	FUNCTION SELECT SW ASM. 2		*		1.00
17	M1040544000	FUNCTION SELECT SEAL		*		1.00
18	TA0800504R0	PLUG D=8 L=4.5		*		1.00
19	M85425440A0	EARTH CORD ASM.		*		1.00
20	WT0320001KN	WASHER		*		6.00
21	E9567319000	EARTH MARK		*		1.00

THREAD STAND COMPONENTS



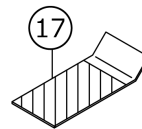
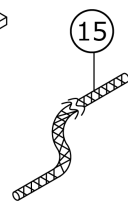
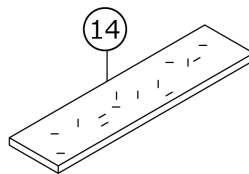
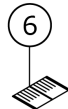
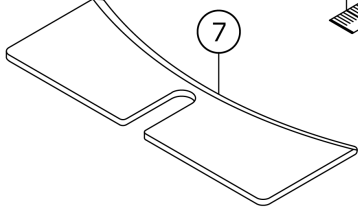
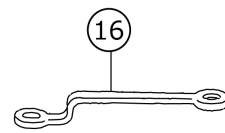
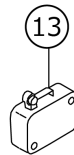
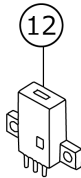
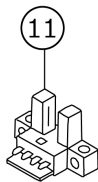
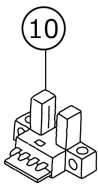
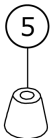
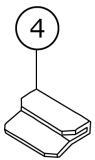
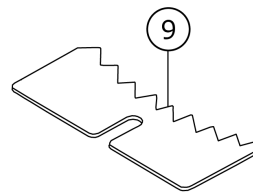
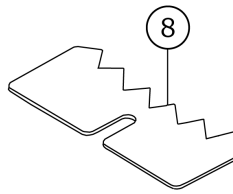
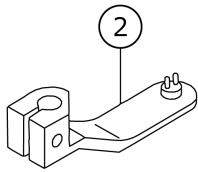
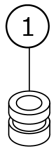
No.	品番	品名	備考	子部品	消耗品	個数
1	26008359	THREAD STAND ASM.				1.00
2	22930408	SPOOL REST ROD, UPPER		*		1.00
3	22930309	SPOOL REST ROD, LOWER		*		1.00
4	26008300	THREAD STAND HOLDER PLATE		*		1.00
5	26008409	THREAD RAISING THREAD GUIDE A		*		1.00
6	22931307	SPOOL REST ROD JOINT		*		1.00
7	22931406	SPOOL REST ROD RUBBER CAP		*		1.00
8	22931000	SPOOL PIN		*		1.00
9	22930903	SPOOL REST CUSHION		*		1.00
10	22931109	SPOOL RETAINER		*		1.00
11	WP1702600S0	WASHER 17X30X2.6		*		2.00
12	NM6160511SE	NUT M16X1.5		*		3.00
13	26008557	SPOOL REST BRACKET ASM.		*		1.00
14	SM4051405SE	SCREW M5 L=14		*		2.00
15	NM6050001SE	NUT M5		*		2.00
16	NM6050001SE	NUT M5		*		1.00
17	SM9061080SE	SCREW M6 L=10		*		1.00
18	SM9050813SE	SCREW M5X0.8 L=8		*		1.00
19	WP0520656SA	WASHER 5.2X9.5X0.6		*		1.00
20	WS0510002KN	SPRING WASHER		*		1.00
21	WS0521010KN	SPRING WASHER 5.2X8.2X1		*		1.00
22	22931208	THREAD GUIDE		*		1.00

ACCESSORISE COMPONENTS (1)



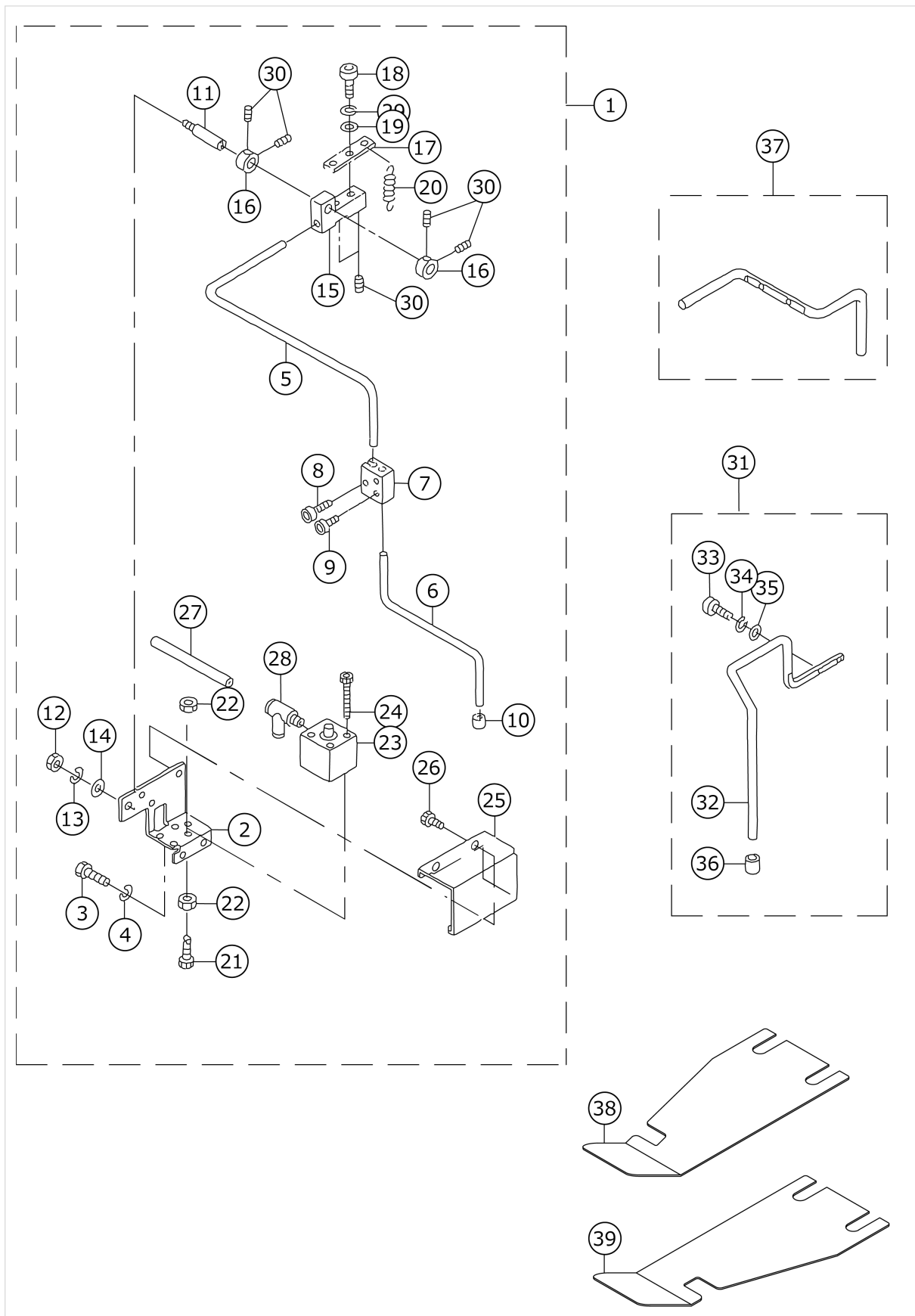
No.	品番	品名	備考	子部品	消耗品	個数
1	GCT02906000	HEXAGONAL SPANNER				1.00
2	D9101L9SB00	HEXAGONAL BAR SPANNER				1.00
3	GCT02904000	SPANNER				1.00
4	B1421372000	NEEDLE BAR GUARD				1.00
5	B2414373000	GAUGE				1.00
6	B8601WP10A0	TOOL BOX ASM.				1.00
7	B9109555000	SCREW DRIVER, LARGE				1.00
8	B9110012000	SCREW DRIVER, MIDDLE				1.00
9	B9111012000	SCREW DRIVER, SMALL				1.00
10	26034702	WRENCH	DEPENDING ON DESTINATION			1.00
11	B9113012000	WRENCH (9X10)	DEPENDING ON DESTINATION			1.00
12	B9143372000	WRENCH (7.1 X 8.1)	DEPENDING ON DESTINATION			1.00
13	B91210120A0	OILER ASM.				1.00
14	MTQ700B1602	NEEDLE TQX7 #16-2				1.00
15	B9141372000	HEXAGONAL WRENCH, LARGE				1.00
16	B9142372000	HEXAGONAL WRENCH (7.1X8.1)	DEPENDING ON DESTINATION			1.00
17	GCT02905000	SPANNER				1.00

ACCESSORISE COMPONENTS (2)



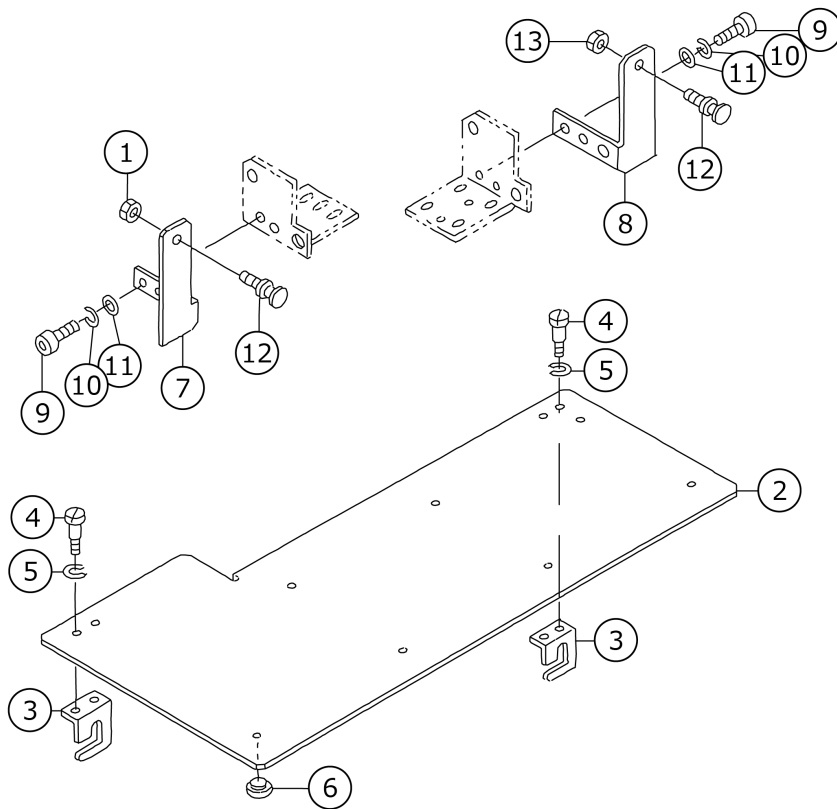
No.	品番	品名	備考	子部品	消耗品	個数
1	18200501	WORK ATTACHMENT (SMALL)				3.00
2	16558009	BUTTON CARRIER B				1.00
3	16558108	RING, SMALL				1.00
4	G5135164000	WOMAN GAUGE				1.00
5	G5138161000	RUBBER CAP				1.00
6	18204701	SCALE				4.00
7	GBR01437000	AUXILIARY PLATE				1.00
8	GBR01423000	SELECTOR PLATE, MEDIUM				1.00
9	GBR01422000	SELECTOR PLATE, SMALL				1.00
10	HD000830000	PHOTO SENSOR				1.00
11	HD000670000	SENSOR				1.00
12	HD000840000	PHOTO SENSOR				1.00
13	HA000830000	MICROSWITCH				1.00
14	18250407	SANDER (CLOTH)				3.00
15	18250506	SANDER (CORD)				2.00
16	13533203	WRENCH				1.00
17	G5139164000	EXTENSION PLATE				3.00
18	13525506	GREASE TUBE				1.00

ASSISTANT CLAMP, LIGHT MATERIAL CLAMP & NEEDLE CLAMP & TOP-C ENTER PLAIT SLIP STOPPER COMPONENTS (OPTION)



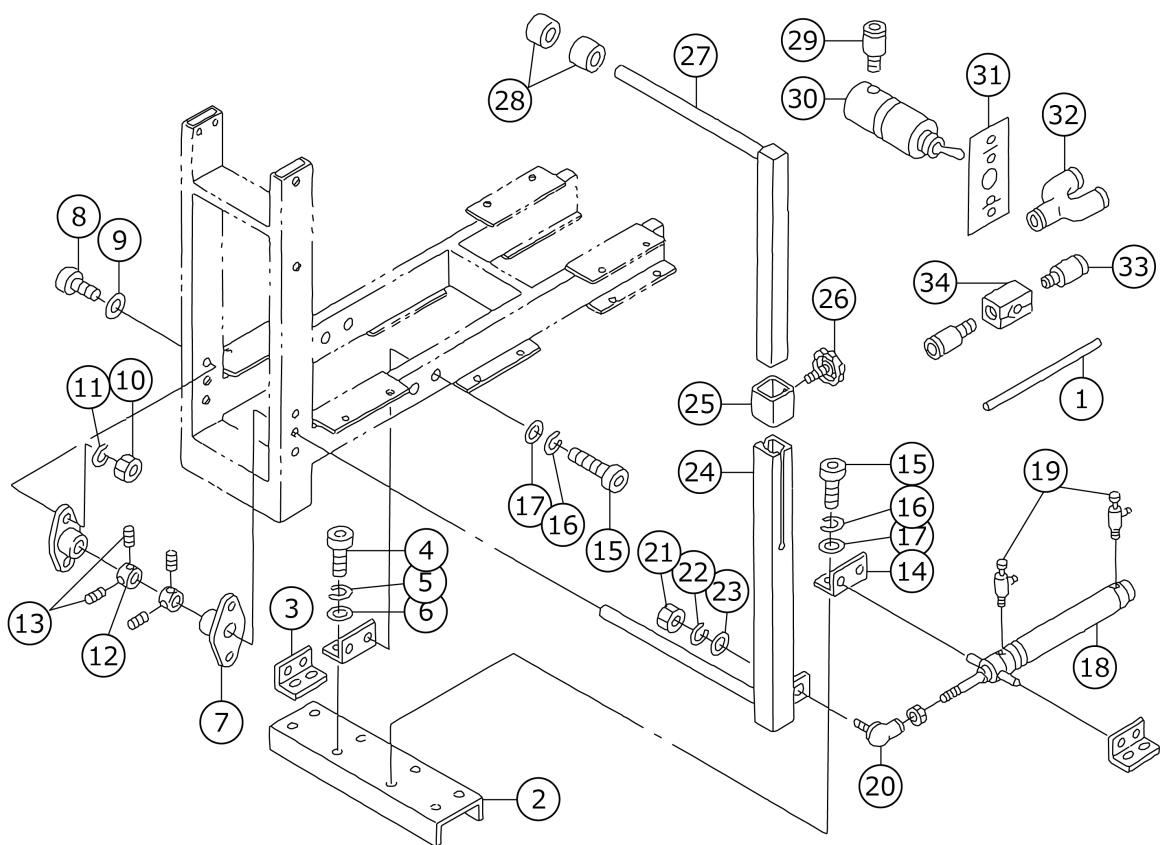
No.	品番	品名	備考	子部品	消耗品	個数
1	G55011640A0	AUXILIARY CLAMP ASM.				1.00
2	G5501164000	AUXILIARY CLAMP BRACKET		*		1.00
3	SM9061003SC	SCREW M6X10		*		2.00
4	WS0610002KN	SPRING WASHER 6.1X12.2X1.5		*		2.00
5	G5502164000	AUXILIARY CLAMP, UPPER		*		1.00
6	G5503164000	AUXILIARY CLAMP, LOWER		*		1.00
7	G5504164000	ADJUSTING METAL		*		1.00
8	SM6061202TN	BOLT		*		1.00
9	SM6030402TN	BOLT M3X4		*		2.00
10	G5138161000	RUBBER CAP		*		1.00
11	G5124164000	CLAMP SHAFT		*		1.00
12	NM6060001SC	NUT M6		*		1.00
13	WS0610002KN	SPRING WASHER 6.1X12.2X1.5		*		1.00
14	WP0641601SC	WASHER		*		1.00
15	G5125164000	CLAMP HOLDER		*		1.00
16	G2526270000	COLLAR		*		2.00
17	G5505164000	SPRING HOOK		*		1.00
18	SM6040602TP	SCREW M4 L=6		*		2.00
19	WP0430801SC	WASHER 4.3X9X0.8		*		2.00
20	G5126164000	SPRING		*		1.00
21	G5506164000	SCREW		*		1.00
22	NM6060001SC	NUT M6		*		2.00
23	PA160100500	AIR CYLINDER		*		1.00
24	SM6033052TP	SCREW		*		4.00
25	G5507164000	AUXILIARY CLAMP COVER		*		1.00
26	SM0040601SA	SCREW		*		2.00
27	BT0400251EB	URETHANE HOSE, BLACK		*		1.00
28	PJ305040503	UNION		*		1.00
29	WS0410002KN	SPRING WASHER		*		2.00
30	SM8040402TP	SCREW M4X0.7 L=4		*		6.00
31	G55081640A0	LIGHT FABRIC CLAMP ASM.				1.00
32	G5508164000	LIGHT FABRIC CLAMP		*		1.00
33	SM6031002TP	HEXAGONAL BOLT M3 X 10		*		2.00
34	WS0310002KN	SPRING WASHER M3		*		2.00
35	WP0320501SC	WASHER M3		*		2.00
36	G5138161000	RUBBER CAP		*		1.00
37	G5509164000	NEEDLE CLAMP				1.00
38	G5520164000	SLIP STOPPER (FOR MEN'S)				1.00
39	G5521164000	SLIP STOPPER (FOR LADIE'S)				1.00

ASSISTANT FEED PLATE COMPONENTS (OPTION)



No.	品番	品名	備考	子部品	消耗品	個数
1	NS6090310SP	NUT 9/64-40				2.00
2	G5510164000	AUXILIARY FEED BOARD				1.00
3	G5511164000	BRACKET				2.00
4	SD0400191TP	HINGE SCREW D=4 H=1.9				4.00
5	WS0410002KN	SPRING WASHER				4.00
6	G5178162000	SLIDER				8.00
7	G5512164000	AUXILIARY FEED SUPPORT (LEFT)				1.00
8	G5513164000	AUXILIARY FEED SUPPORT (RIGHT)				1.00
9	SM6061002TP	SCREW M6 L=10				4.00
10	WS0610002KN	SPRING WASHER 6.1X12.2X1.5				4.00
11	WP0641601SC	WASHER				4.00
12	B1523232000	REGULATING SCREW				2.00

NO.2 PRESSER COMPONENTS (OPTION)



No.	品番	品名	備考	子部品	消耗品	個数
1	BT0400251EB	URETHANE HOSE, BLACK				1.00
2	G5514164000	CYLINDER SUPPORT BASE				1.00
3	G5038171000	SIDE PLATE SUPPORT				2.00
4	SM6061202TP	SCREW M6 L=12				4.00
5	WS0610002KN	SPRING WASHER 6.1X12.2X1.5				4.00
6	WP0641601SC	WASHER				4.00
7	G5518164000	FLANGE UNIT				2.00
8	SM6061202TP	SCREW M6 L=12				4.00
9	WP0641601SC	WASHER				4.00
10	NM6060001SC	NUT M6				4.00
11	WS0610002KN	SPRING WASHER 6.1X12.2X1.5				4.00
12	G5215171000	THRUST COLLAR				2.00
13	SM8060812TP	SCREW M6 L=8				4.00
14	G5515164000	CYLINDER BRACKET				2.00
15	SM6061202TP	SCREW M6 L=12				8.00
16	WS0610002KN	SPRING WASHER 6.1X12.2X1.5				8.00
17	WP0641601SC	WASHER				8.00
18	PA2007503A0	AIR CYLINDER				1.00
19	PC015108000	SPEED CONTROLLER				2.00
20	G5204171000	LINK BOLL				1.00
21	NM6080003SC	NUT M8				1.00
22	WS0820002KN	SPRING WASHER M8				1.00
23	WP0841601SC	WASHER 8.4X17.4X1.6				1.00
24	G5517164000	PRESSER, LOWER				1.00
25	G5208164000	BAR LOCKER				1.00
26	G5221164000	KNOB				1.00
27	G5516164000	PRESSER, UPPER				1.00
28	G5216164000	STACKER RING				5.00
29	PJ301040504	JOINTING				3.00
30	PV010507000	VALVE				1.00
31	G5519164000	STACKER OPEN SWITCH LABEL				1.00
32	PJ308040002	QUICK COUPLING				1.00
33	PJ301040504	JOINTING				2.00
34	PV020501000	CHECK VALVE				1.00

HOW TO MAKE USE OF THIS PARTS LIST

1.As to "#01" and "#02" refer to the "Note" given at the bottom of the respective pages.

2.Codes on the "Qty" column

- Each numeral indicates the number of parts required.
- "0.1" and "2.5" indicate the length (in meters) of the respective parts.

3.Parentheses mean that the corresponding part is a subpart that constructs an assembly part.

4.Dotted lines on the Figures indicate assembly parts.

1. リストページの# 0 1、# 0 2の印は、ページ下の"注記"の説明を参照下さい。
2. 数量欄の数字は、個数を表し、0. 1、2. 5等の数値は、長さ（単位メートル）を表します。
3. 数量欄の（ ）は、組部品を構成している子部品であることを意味します。
4. イラストページの-----枠は、組構成であることを意味します。